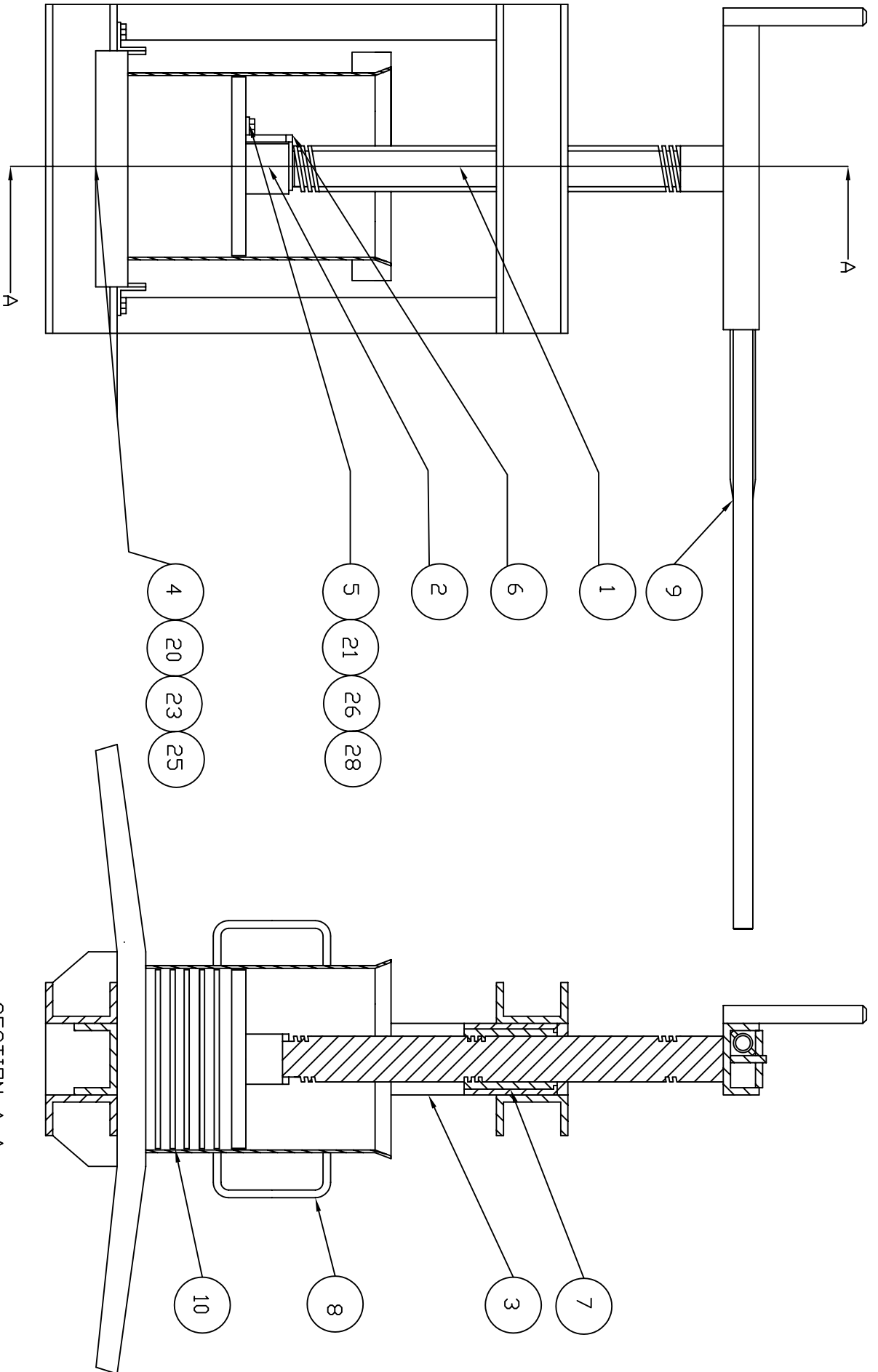


DD NDT SCALE



No.					
REVISIONS	Description	CHK	AP'D	DATE	

Practical Action

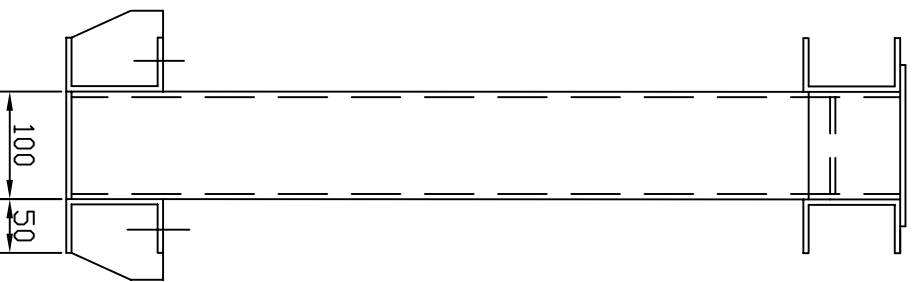
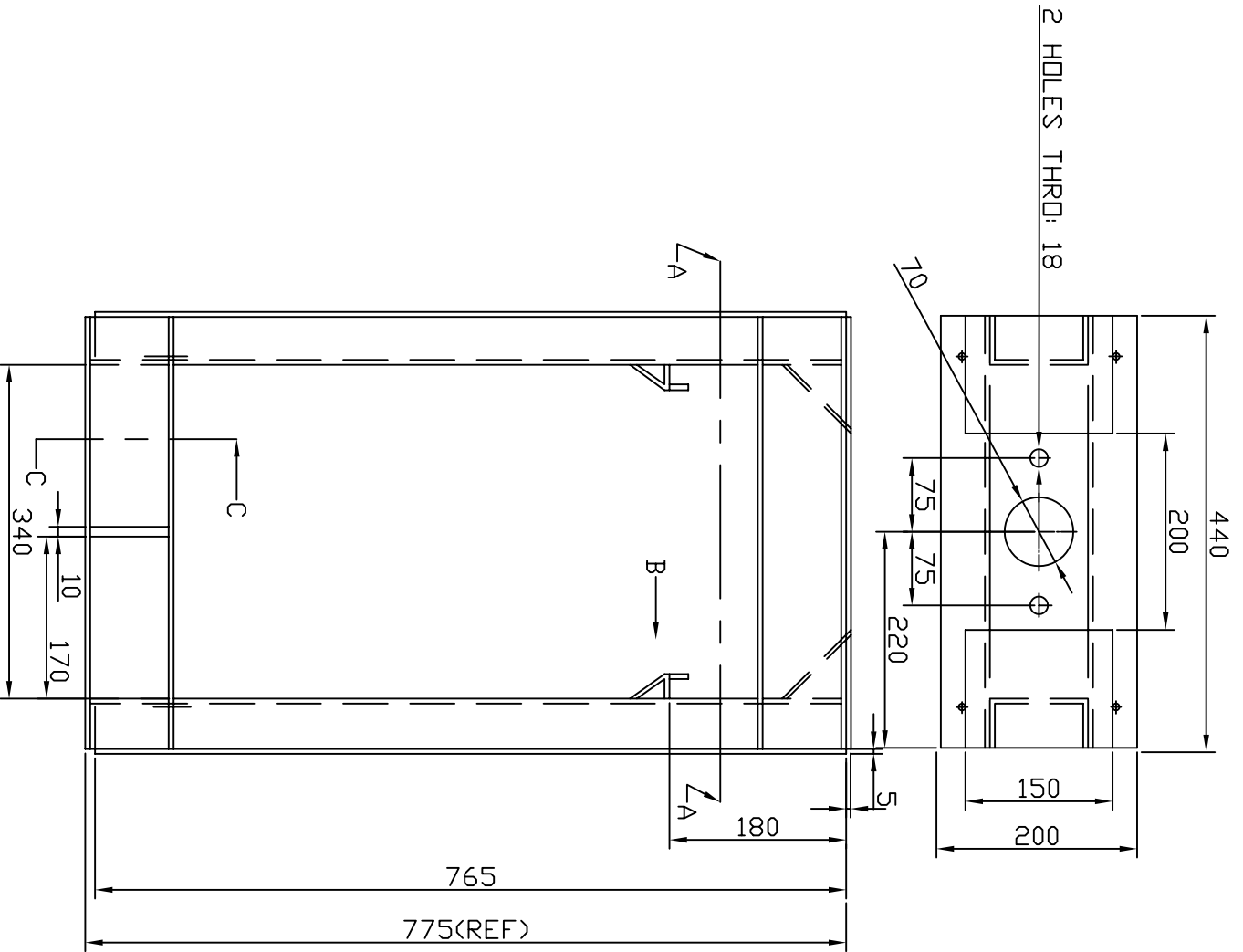
TITLE MANUAL SCREW PRESS
MATERIAL -

DRAWN A.R.
TRACE -
CHK -
DRAWING No. MSP001

NDT TO SCALE

DO NOT SCALE

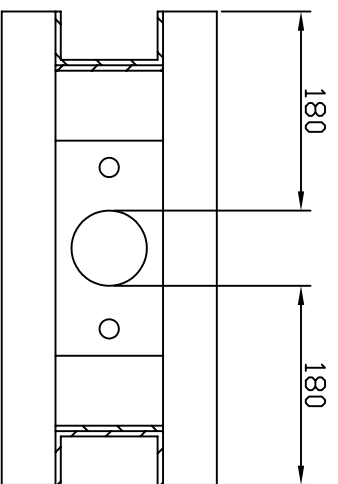
NOTE: FULLY WELDED CONSTRUCTION UNLESS OTHERWISE STATED



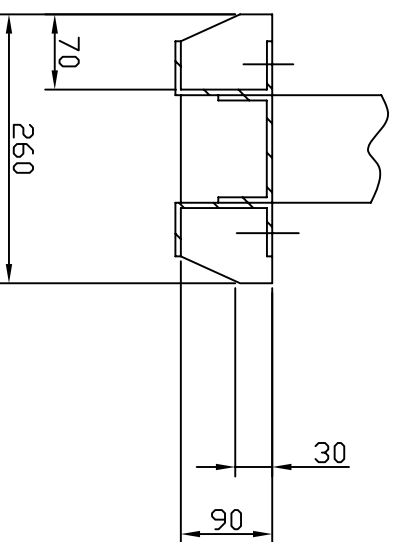
3 MAIN FRAME
(DETAILS)

No.	Description				CHK	AP'D	DATE	Practical Action	TITLE	MANUAL SCREW PRESS	DRAWN A.R	TRACE -	CHK -	DRAWING No. MSP101a	DD NOT SCALE
REVISIONS									MATERIAL	MILD STEEL					

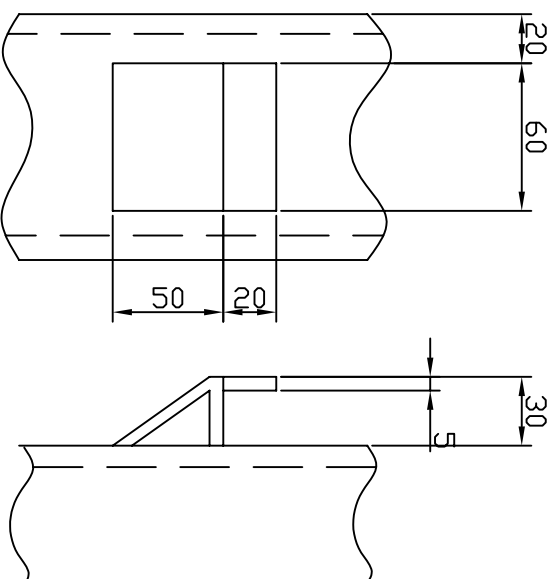
DD NOT SCALE



SECTION A-A



SECTION C-C
NOTE: FULLY WELDED CONSTRUCTION

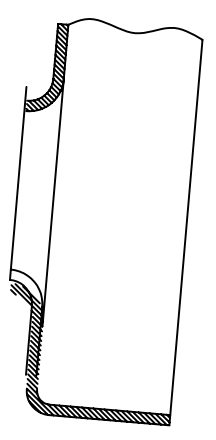
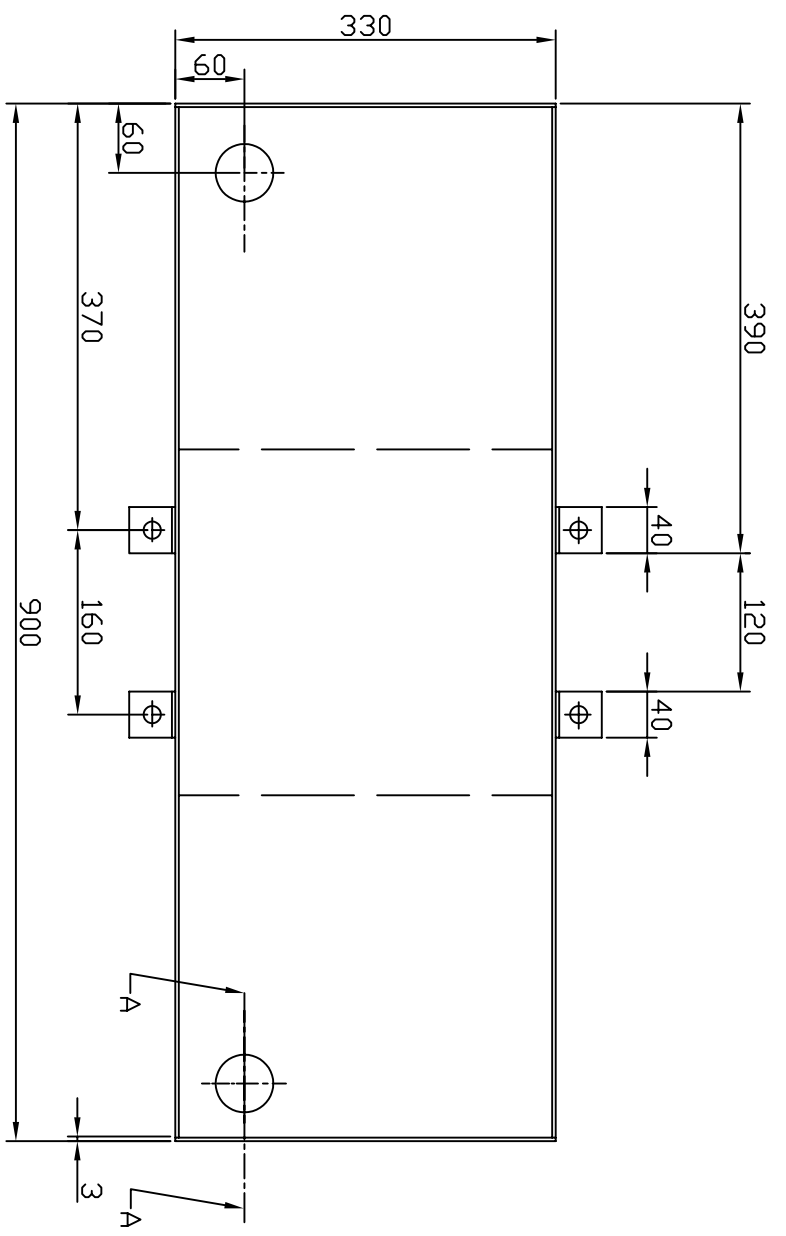


VIEW DN B
NOTE FULLY WELDED CONSTRUCTION

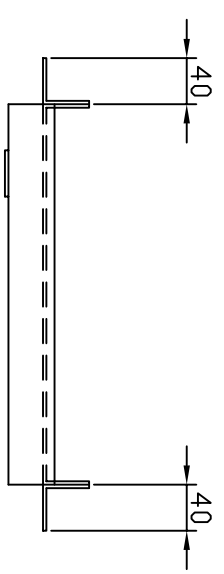
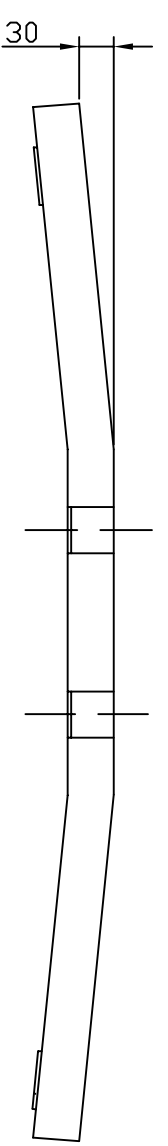
3 MAIN FRAME
(DETAILS)

No.		Description		CHK	AP'D	DATE	Practical Action	TITLE	DRAWN	TRACE	CHK	DD NOT SCALE
REVISIONS								MATERIAL	A,R	-	-	
								MANUAL SCREW				
								MILD STEEL				
								DRAWING No. MSP101				

DD NDT SCALE



SECTION A-A



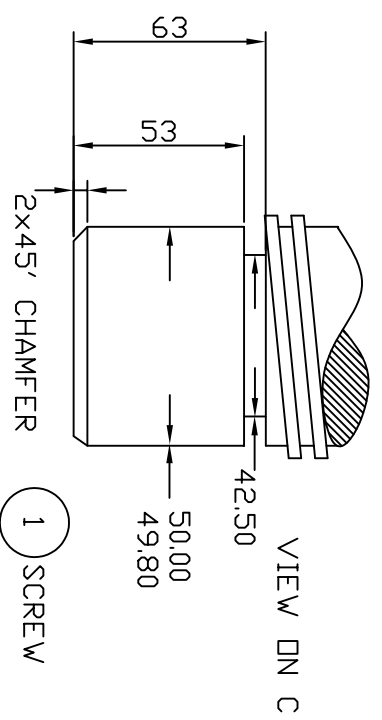
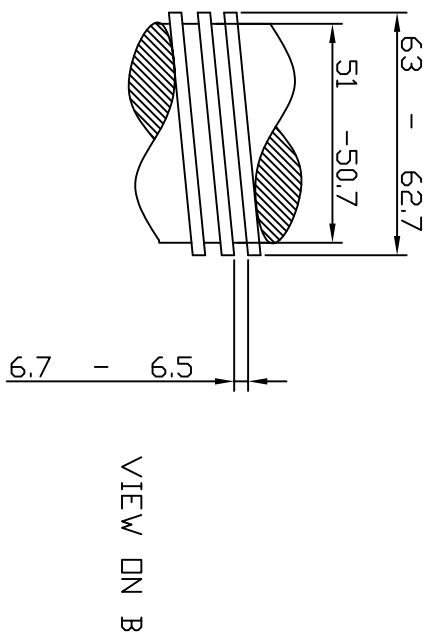
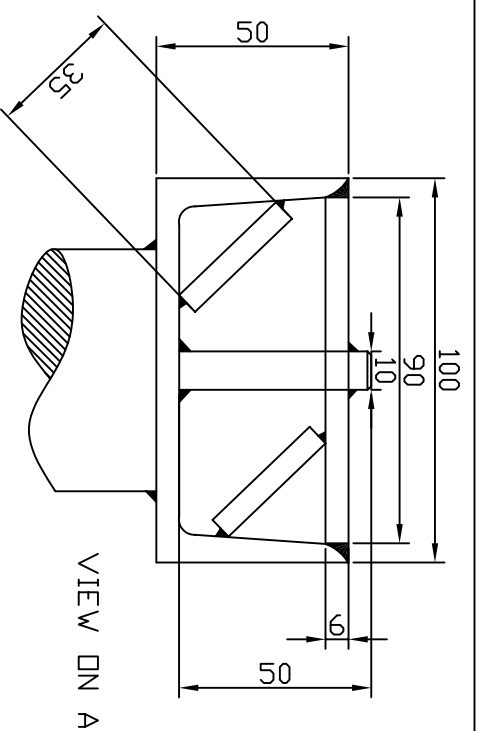
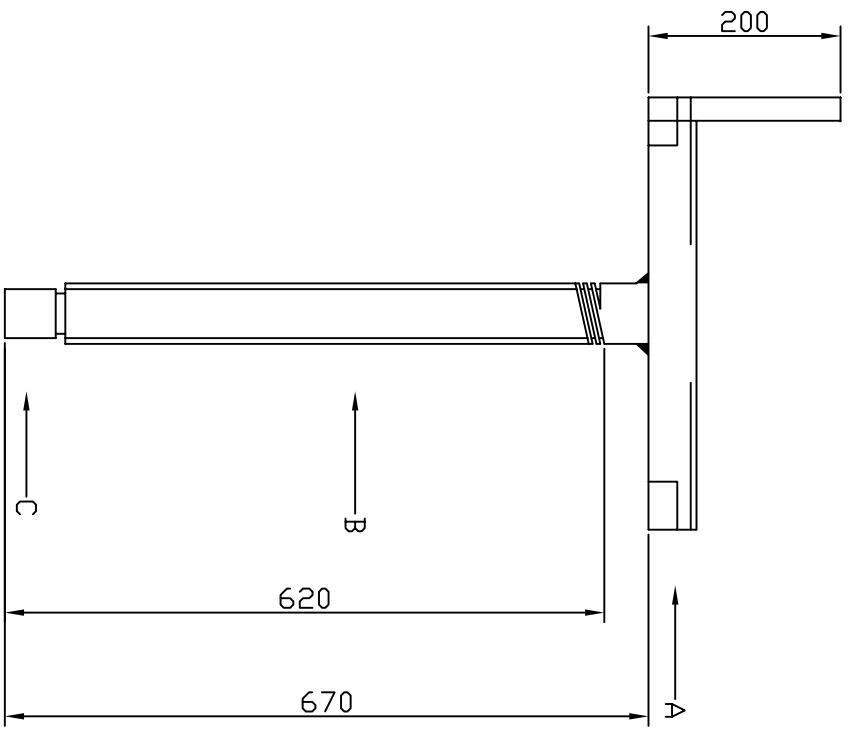
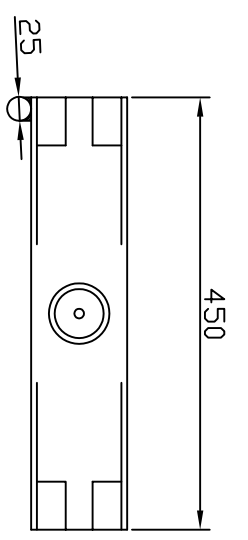
TOLERANCES
UNLESS OTHERWISE
STATED ± 0.25

4 DIL COLLECTION
TRAY

No.				
REVISIONS	Description	CHK	AP'D	DATE

Practical Action	TITLE	MANUAL SCREW PRESS	DRAWN A/R	TRACE	CHK	DRAWING No. MSP102	NDT TO SCALE
	MATERIAL SHEET STEEL						

DD NDT SCALE



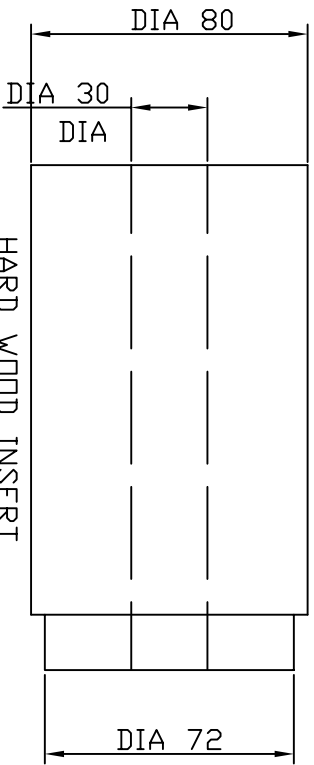
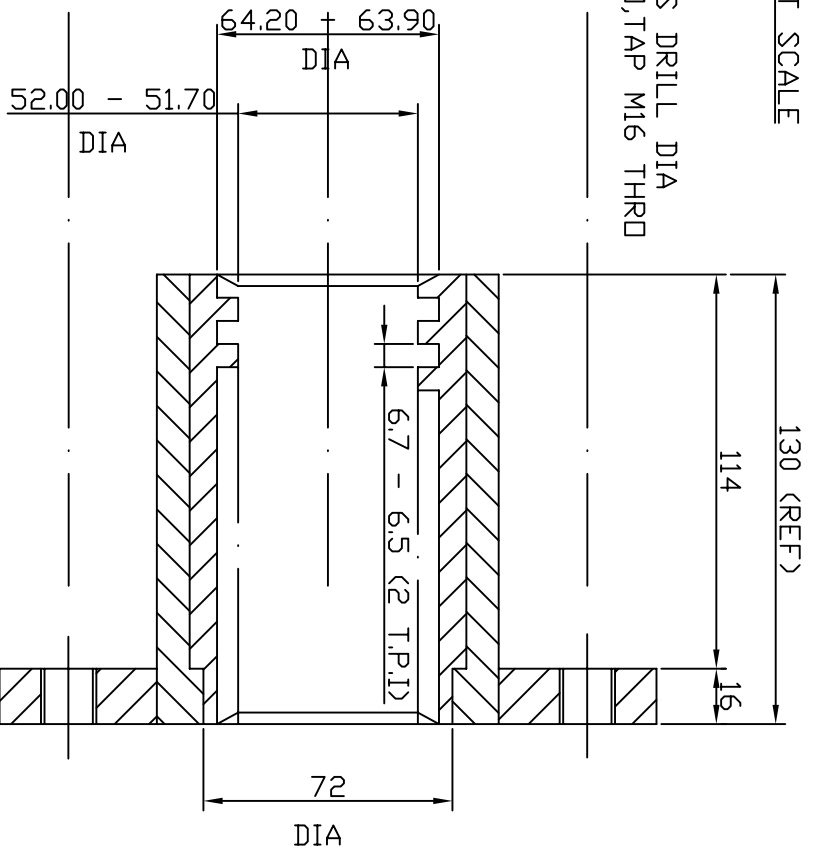
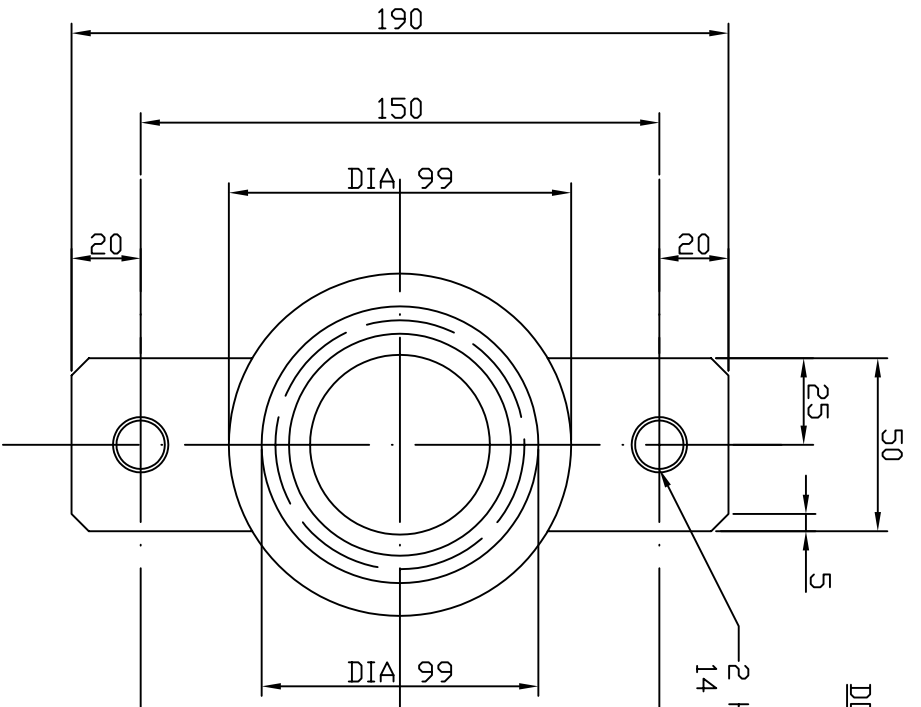
TOLERANCES
UNLESS OTHERWISE
STATED +/- 0.25

1 SCREW

No.		CHK	AP'D	DATE
REVISIONS	Description			

Practical Action	TITLE MANUAL SCREW	DRAWN A.R	TRACE -	CHK -	NDT TO SCALE
	MATERIAL MILD STEEL	DRAWING No. MSP103			

D.D. NOT SCALE

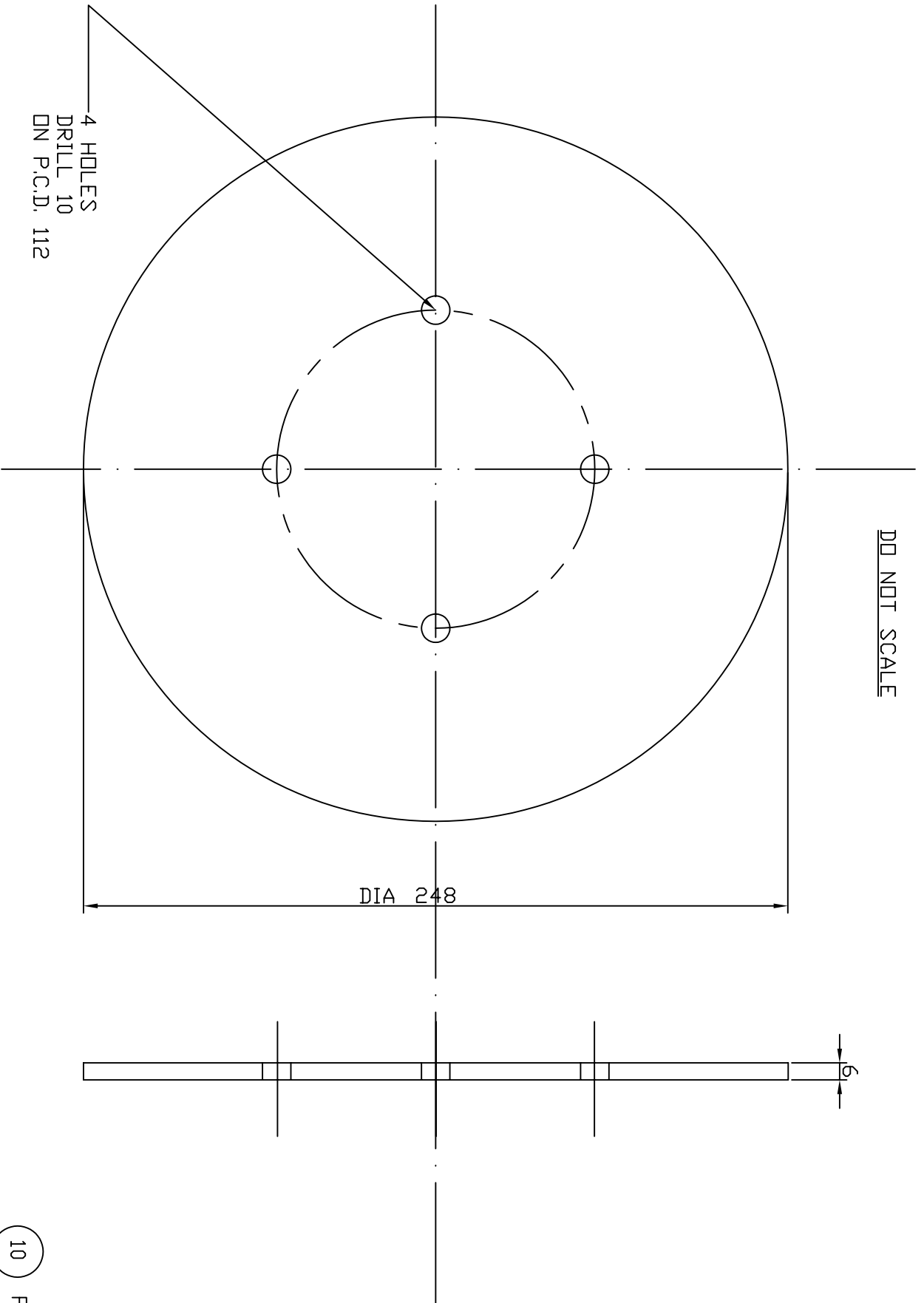


NOTE: MACHINE INSERT D.D AND DIA 30 BORE THEN ASSEMBLE INTO NUT BEFORE MACHINING SCREW THREAD

7 SCREW NUT

No.		Description		CHK	AP'D	DATE
REVISIONS						
TITLE		MANUAL SCREW		DRAWN	TRACE	CHK
MATERIAL		HARD WOOD MILD STEEL		A.R	-	-
DRAWING No.		MSP104		IND TD		NOT TO SCALE

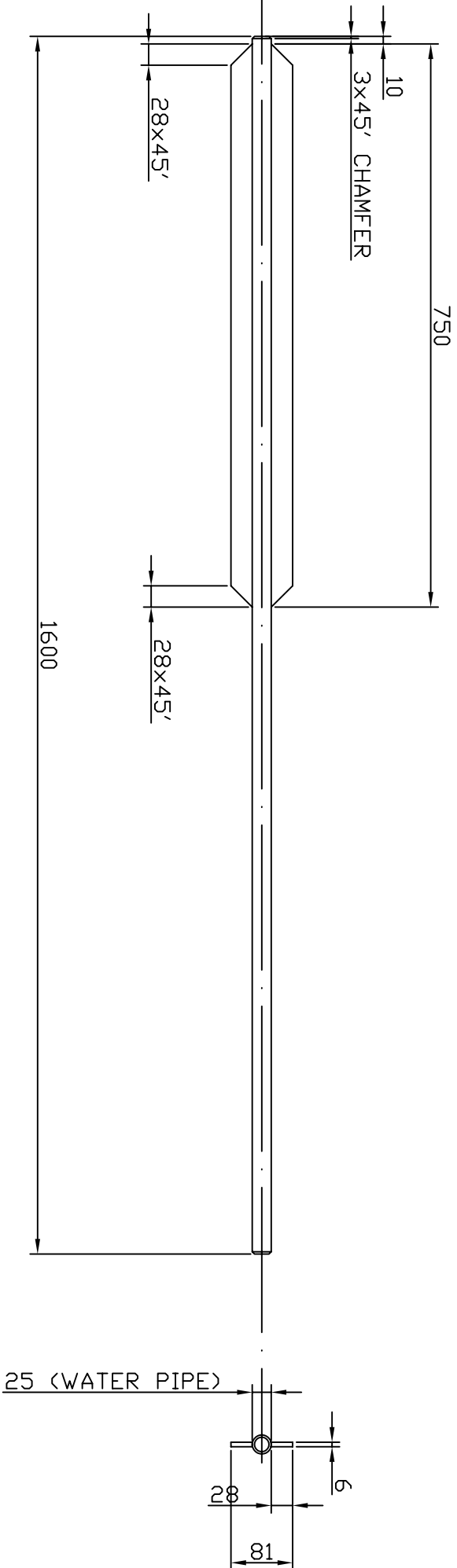
DIA NDT SCALE



10 PRESSURE DISC

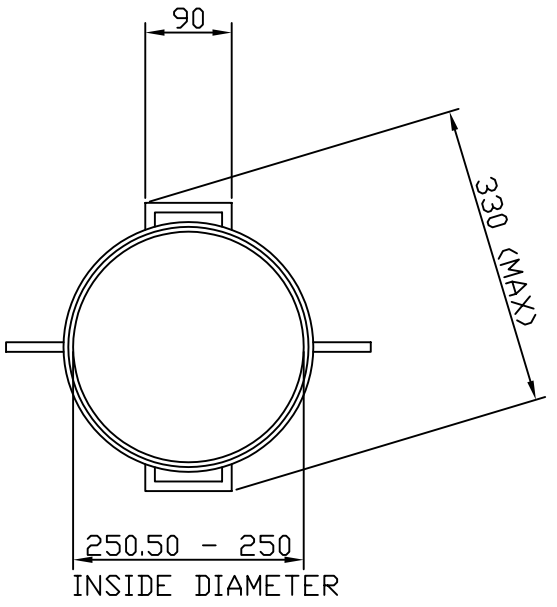
No. REVISIONS		CHK	AP'D	DATE	Practical Action	TITLE MANUAL SCREW PRESS	DRAWN A.R	TRACE -	CHK -	INDT TO SCALE
Description										
MATERIAL HARD WOOD					DRAWING No. MSP107					

DD NOT SCALE

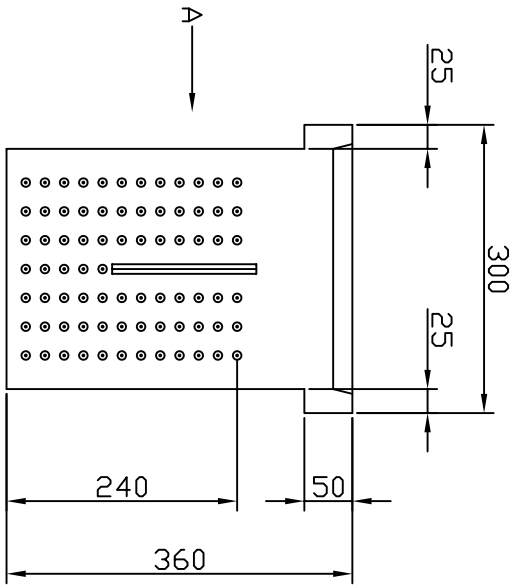
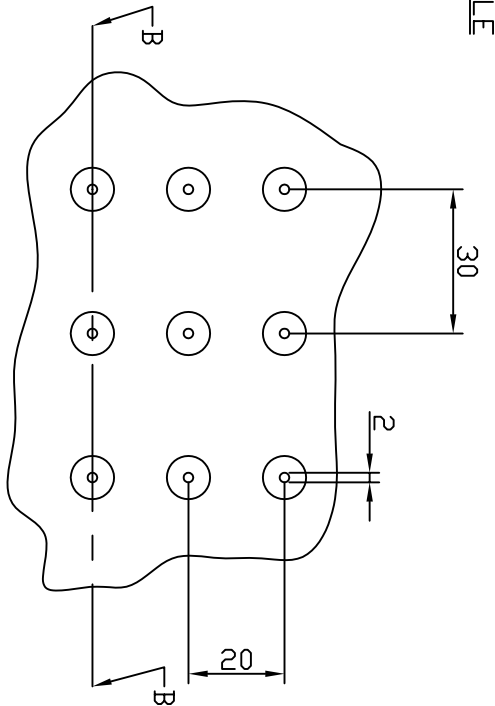


9 TORQUE ARM

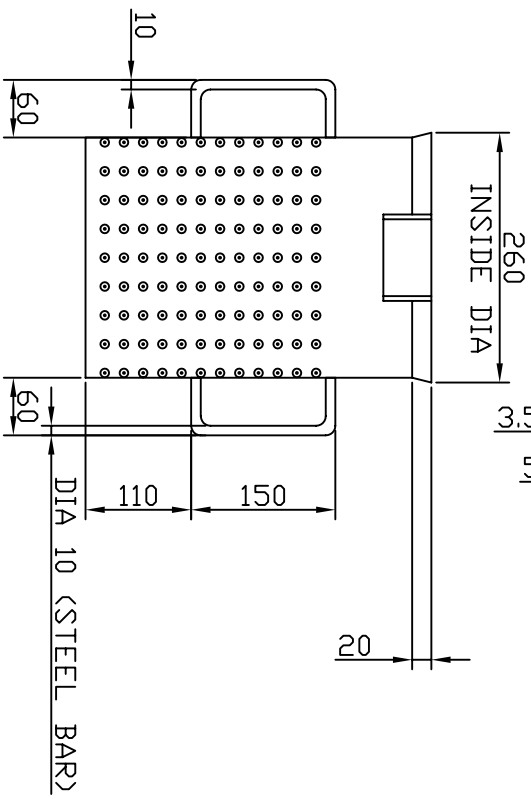
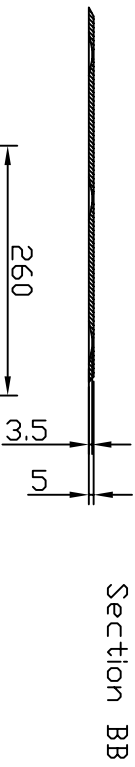
No.		Description		CHK	AP'D	DATE	Practical Action	TITLE	DRAWN A/R	TRACE	CHK	DRAWING No. MSP108	DD NOT SCALE
REVISIONS													
								MANUAL SCREW					
								PRESS					
								MILD STEEL					



DO NOT SCALE



NOTE: FULLY WELDED CONSTRUCTION



8 CAGE

		Practical Action		TITLE		DRAWN		NDT TO SCALE	
		Action		MANUAL SCREW PRESS		A,R		SCALE	
		Description		MATERIAL		TRACE		CHK	
		CHK		5mm STEEL PLATE		-		-	
		AP'D		DRAWING No.		MSP109		NDT TO SCALE	
		DATE							
No. REVISIONS									