



Contract R 7105

The Permanent Magnet Generator (PMG):
A manual for manufacturers and developers

By Hugh Piggott
Scoraig Wind Electric

In association with
ITDG-UK; ITDG Peru and ITDG South Asia



Background

This research on small wind energy systems for battery charging is the result of a collaborative effort involving numerous contributors.

The project was managed by Intermediate Technology (known as The Intermediate Technology Development Group or ITDG) under a contract to the UK Department for International Development.

The overall international project was co-ordinated by Dr Smail Khennas, Senior Energy Specialist from ITDG, with support from Simon Dunnett. The field work in Peru and Sri Lanka were respectively managed by Teo Sanchez and Rohan Senerath with technical support from Sunith Fernando

Hugh Piggott, a technical consultant for the project, is the main author of this manual on the Permanent Magnet Generator.

The views expressed in this report are those of the authors and do not necessarily represent the views of the sponsoring organisations, the reviewers or the other contributors.

PMG construction manual

<u>Contents</u>	<u>page</u>
1. Introduction	4
2. List of materials and tools	8
3. Jigs and Moulds	10
4. Stator construction	25
5. Rotor construction	31
6. Assembly	36
7. Testing and connecting	41
8. Additional information	49

Building the PMG

This manual describes how to build the PMG. Read right through it before starting.

Section 2. is a list of materials and tools for the job.

Section 3 explains how to build the special tools (called jigs) and the moulds which are needed. You can build more than one PMG with them. There are many possible ways to make these jigs and moulds, but there is only room in this manual to describe one way to do it.

Section 4 is about the stator. It describes how to wind the coils of enamelled copper wire, and cast them in resin, using the jigs and moulds.

Section 5 shows how to build the magnet rotors, using magnet blocks and steel disks, set in another resin casting.

Section 6 shows how to assemble the parts into a whole PMG. It explains how to build the mechanical parts, how to balance the rotors, and what is required to connect the wiring from the stator.

Section 7 is about testing the PMG. It contains procedures for checking that it is correctly balanced and ready to use. It describes the options for connecting up the electrical output. It also explains how to connect the PMG to the battery.

Section 8 contains additional information about the use of polyester resins, and about using the PMG for hydro power.

What this PMG can do

This PMG is made for small wind generators (see diagram 2). To build a complete wind generator, you also need

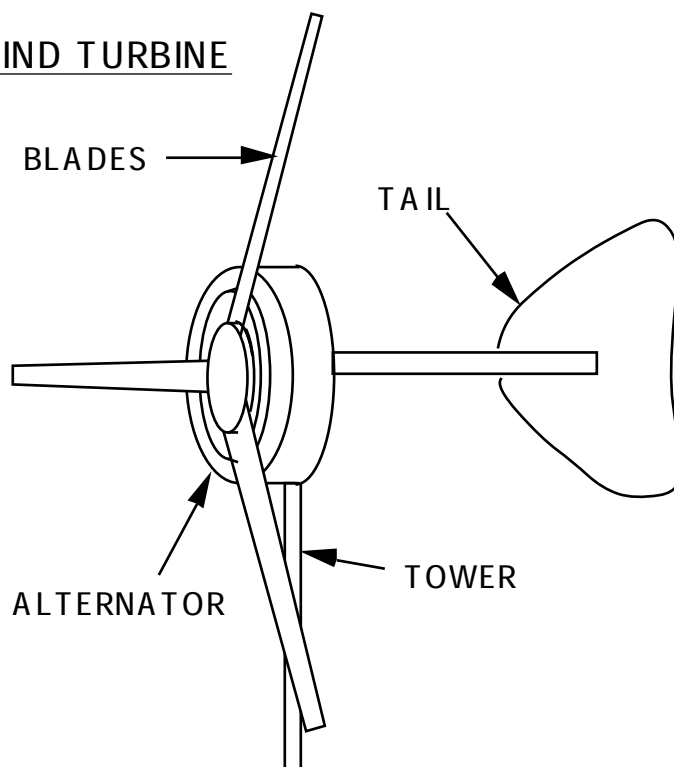
- a tower : perhaps a steel pipe, supported with guy ropes,
- a 'yaw head' swivelling on the tower top,
- a tail, to keep it facing towards the wind,
- a set of blades, to turn it.

The spine of the PMG bolts on to the yaw head. The blade assembly fits on to the front of the PMG. The yaw head and tail need to be so constructed that the wind generator will turn from strong winds, to protect itself. (This manual does not describe the blades, tower, or yaw head.)



On test at Scoraig

2. WIND TURBINE



The PMG works at low rotational speed. The chart shows the power output of the PMG, charging a 12 volt battery. At 420 rpm it generates 180 watts, which is 15 amps at 12 volts ($15A \times 12V = 180W$).

At higher speed, the PMG can generate more power. But high currents cause the coils to heat up, and so the efficiency gets worse as the output current gets higher. For higher speed it is better to change the stator coils, either by using different size wire, or by changing the way they are connected.

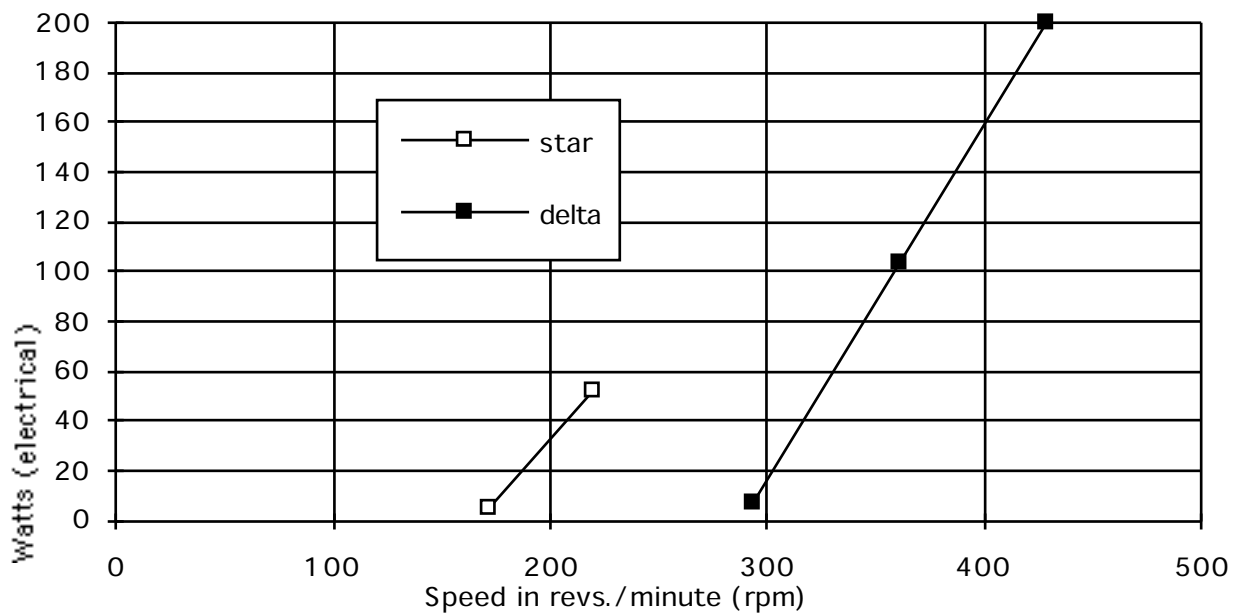
If the PMG is always used at higher speeds, it is better to use thicker wire, which can carry more current without getting so hot. Using thicker wire means there are fewer turns on the coils, which means that the PMG would not work at low speed.

To use the same PMG for both low and high speeds, it is possible to change the connections. There are two ways to connect the stator wires to the rectifier. They can be connected 'star' or 'delta'. See Section 7 for a detailed description of the star and delta connections.

See diagram 3 for the graph of power vs. speed. Star begins to work at low speed (170 rpm). Delta gives more power, but only at higher speed. Star is good in very low windspeeds, and delta is better in higher winds.

A bigger version of this PMG would be able to give higher power at lower speed.

3. GRAPH OF POWER VS. SPEED



Caution

Take care when building and assembling the PMG so that the magnets cannot come loose. This can happen under extreme circumstances. Loose magnets rubbing on the stator can then destroy the PMG.

- Follow all the instructions for casting the magnet rotors - do not simply glue the magnets to the steel disks.
- Do not hit the magnet rotors with hammers during assembly.
- Take care that there is at least 1 mm gap clearance between the magnets and the stator, on both sides. (For heavy duty, or high speed, use a larger gap.)
- Do not run the PMG at speeds faster than 800 rpm on a wind turbine. (When the wind turbine yaws, large gyroscopic forces will flex the shaft, and the magnets may touch.)
- Do not mount the rotor blade assembly directly onto the front magnet rotor disk, at any point away from the studs. Mount it only onto the studs and nuts themselves, which come through the disk.
- When mounting the PMG on the wind turbine yaw mount, keep the box section 'spine' of the PMG vertically upright, and not horizontally cross-wise.

2. List of Materials and tools

Materials for PMGs	No. per PMG	size	Total wt. grams
FIBREGLASS SUPPLIES			
Polyester resin (premixed with accelerator)			2700
Catalyst (peroxide)			50
Talcum filler powder			1200
Fibreglass mat (1 oz/sqfoot)		1 sq metre	300
Colouring pigment resin (if required)			50
plasticene or putty			
STAINLESS STEEL			
stainless steel wire		2mm x10metres	200
MAGNETS			
Grade 3 ferrite magnet blocks (premagnetised)	16	20 x 50 x 50mm	4000
ELECTRICAL			
Enamelled winding wire		14AWG or 1.7mm (or 17AWG - see p.44)	3000
flexible wire (about 14AWG size)		same size x 6 metres	
solder and sleeving for connections			
1/2 inch masking tape			
Bridge rectifiers	2	25A 200V single phase	
Heatsink for rectifiers			250
STEEL			
Box section tube ('RHS') for spine	1	380 x 50 x25 x 4mm	1100
Magnet disk (or octagonal) plates	2	6mm x 305mm Outer Diameter	6000
10mm threaded rod ('studding')		1000mm	500
10mm nuts	32		300
10mm washers	16		
8mm threaded rod		400mm	125
8mm nuts	8		50
5mm nuts and bolts for rectifiers	2	5mm x 20mm	
Shaft		25mm x 150mm	500
MECHANICAL			
Bearing hub to fit shaft, as described in Section 6	1		1250



Spine, shaft, hub and magnet rotor

Materials for moulds and jigs

Composite floorboards (other ideas are possible) and wood glue

Sand paper, wax polish

(Polyurethane varnish, and PVA release agent, if available.)

Paint brushes, and thinners to clean them

1 3mm Plywood for jigs and formers and stator mould centre

Steel rod, or pipe, for coil winding machine

Small pieces of steel plate or thick sheet metal

<u>Bolts (with nuts and washers)</u>	<u>diameter</u>	<u>length</u>	<u>For</u>
2 with butterfly nuts	6mm	60mm	coil winder
4	10mm	25mm	balancing with jig
1	12mm	150mm	stator mould

Tools

Safety goggles, face mask, gloves, etc. as required

Workbench with vice

Welder

Angle grinder

Hacksaw, hammer, punch, chisel

Compasses, tape measure, angle gauge.

Spanners: 8, 10, 13, 17, 19mm : two of each.

Tap wrench and M10 taps for outer holes in magnet rotors.

Brass wire to gauge the heights of magnets

Pillar Drill Press

Drill bits 6,8,10,12mm

Holesaws 25mm, 65mm

Wood lathe, or a substitute as in Section 3

Chisel for wood lathe

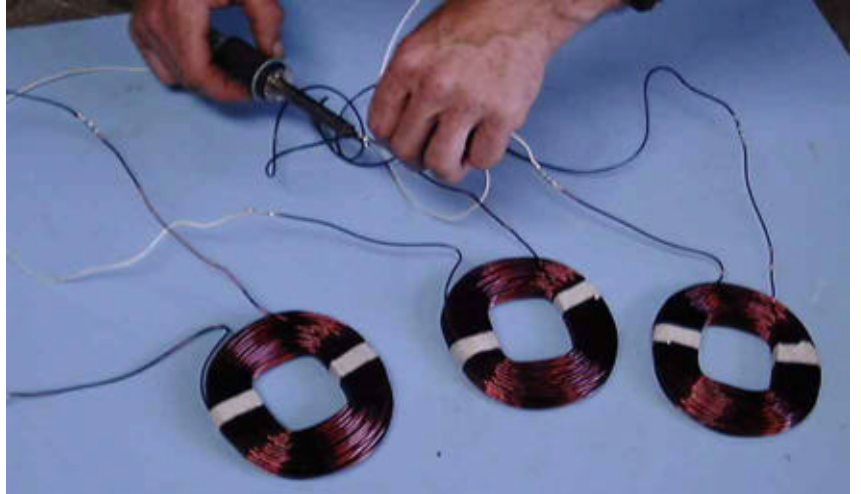
Jigsaw to cut wood

Scales to weigh resin. Dispenser for catalyst, plastic buckets, scissors.

Soldering iron, resin-cored solder, wire cutters, sharp knife.

3. Jigs and Moulds

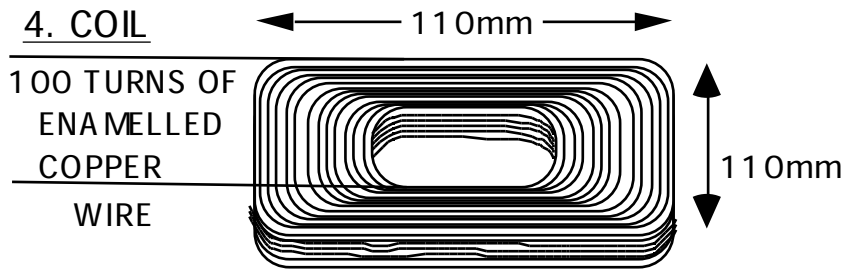
This section describes how to make the jigs and moulds for building a PMG. Once you have made them, they can be used again, to build more PMGs.



Coil winding machine

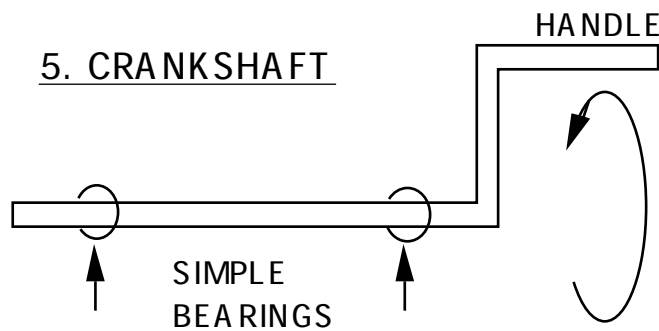
Some coils for the stator

The PMG stator contains six coils of copper wire (see diagram 4).

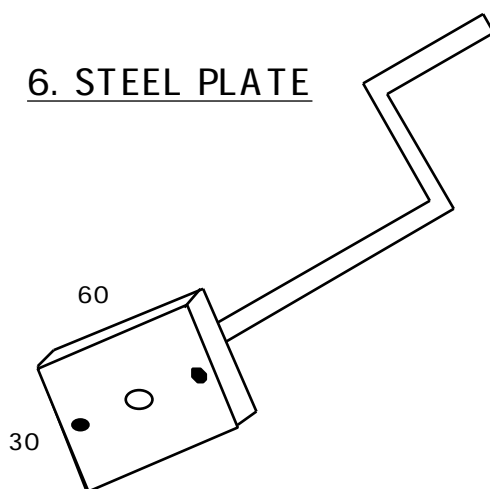


The coils will be wound on a plywood coil-former.
The former is mounted on the end of a crankshaft, between cheek pieces.

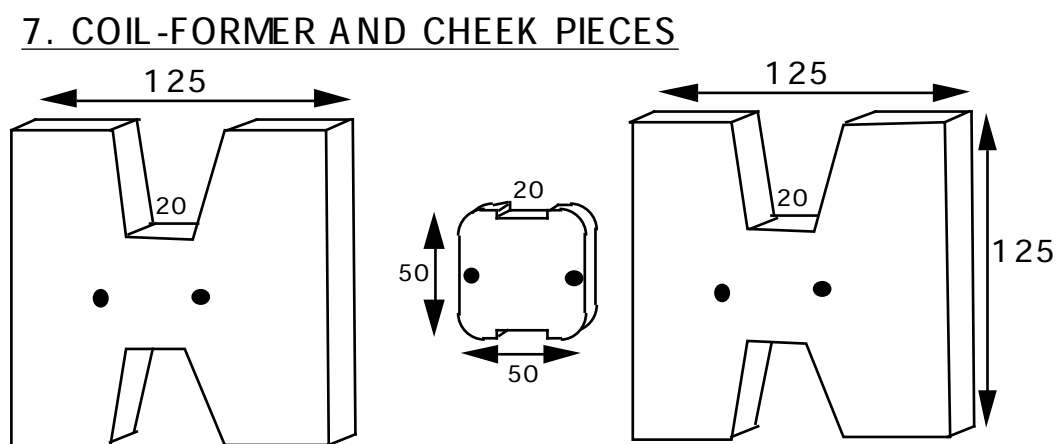
- Make a crankshaft, turned by a handle (see diagram 5).



- Cut a small flat steel plate 60 x 30 x 6 mm (suggested sizes) and fix it securely or weld it to the end of the crankshaft as shown in diagram 6.
- Drill 2 holes, 6mm diameter and 40mm apart, centred on the shaft.



- Cut out 3 pieces of 13mm plywood as in diagram 7.



The coil former is 50mm by 50mm by 13 thick. It has rounded corners. The two 'cheek pieces' are 125mm by 125mm. There are 20mm wide notches top and bottom in each. The notches are for putting masking tape under the coil, so that it can be taped up before removing it from the former.

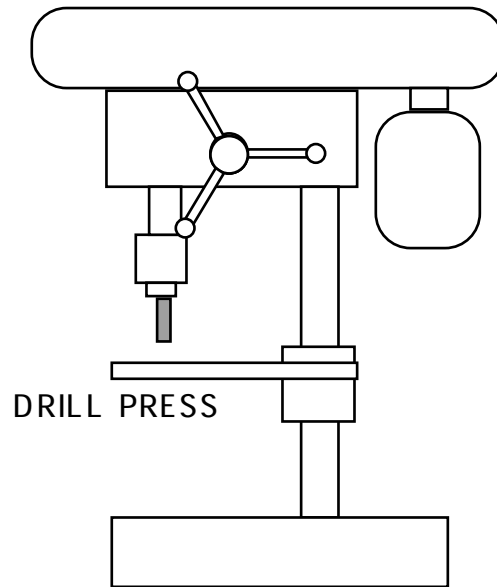
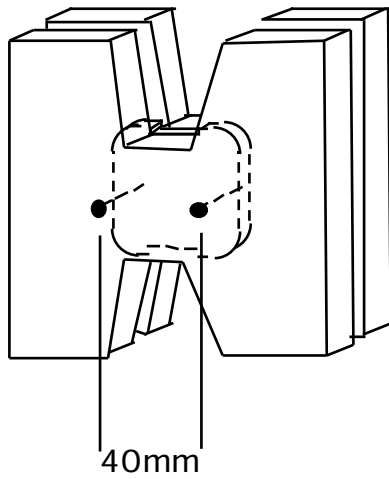
- Stack the pieces with the notches in line (diagram 8), and drill holes for the mounting bolts.

The holes are 6mm diameter and 40mm apart.

Use a drill press to drill the holes exactly square to the plywood.

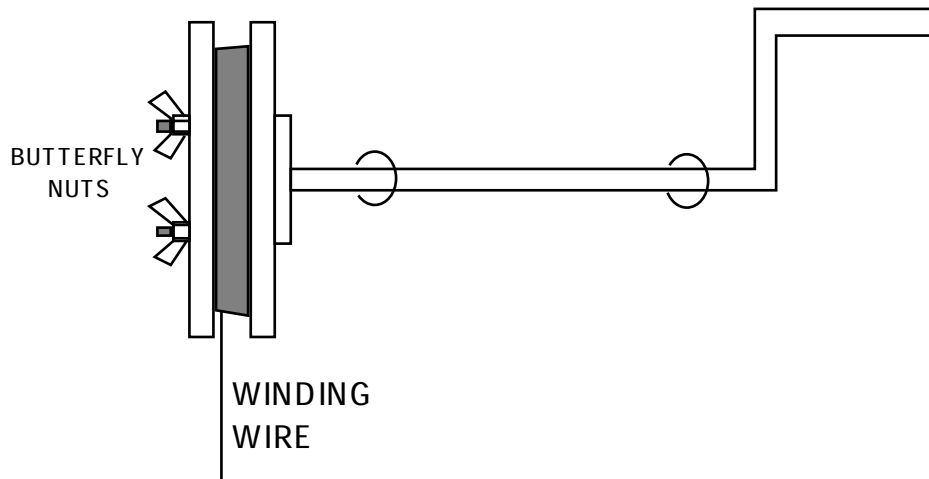
8. DRILLING THE 2 HOLES

STACK THE THREE PIECES
LIKE THIS:-



- Pass two bolts through the holes in the flat plate, and bolt on the cheekpieces, with the coil-former between them. Use butterfly nuts if possible. (diagram 9.)

9. FITTING THE COIL FORMER AND CHEEK PIECES

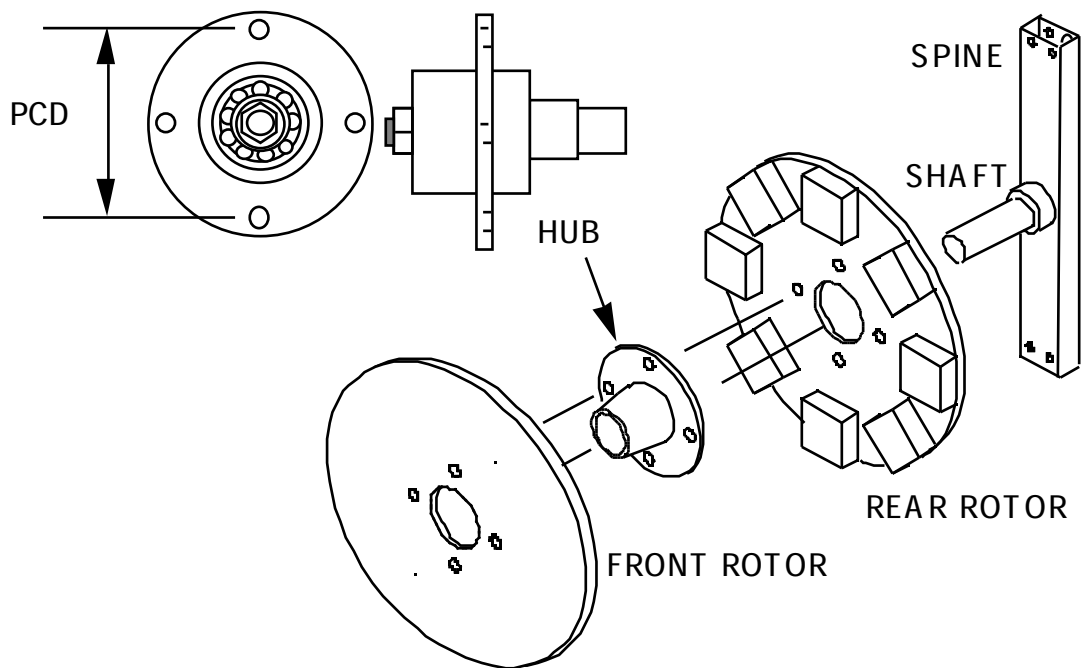


Jigs for the rotors

PCD jig for drilling holes

The magnet rotors are mounted on a bearing hub (see diagram 10). The hub has a flange with holes in it. For example there may be four holes on a 102mm (4 inch) 'pitch circle diameter' (PCD). Or you may have some other arrangement. This will depend on what kind of hub it is. Here we shall say 102mm PCD.

10. THE BEARING HUB PCD



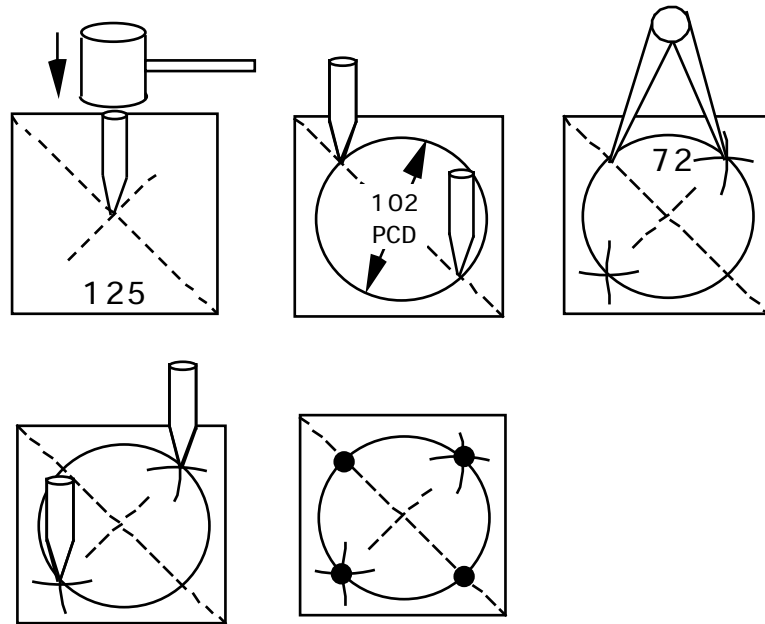
The PCD jig will be used to drill holes in the rotors etc.

It will also be used to balance the rotors.

The holes must be marked and drilled very precisely. (See diagram 11.)

- Cut a square piece of steel plate 125mm by 125mm.
- Draw diagonal lines between the corners and mark the exact centre with a punch.
- Set your compasses at 51 mm radius (or to suit whatever PCD). Draw a circle.
- The diameter of the circle is the PCD of the holes in the hub.
- Punch both places where one line meets the circle.
- Set your compasses at 72mm. Mark two points exactly this distance from the first two, on the circle. (If you have a different PCD, this size would not be 72mm. Find the size by trial and error.)
- Drill four holes exactly 72 mm apart on the circle. Use a small drill first and then a larger one.

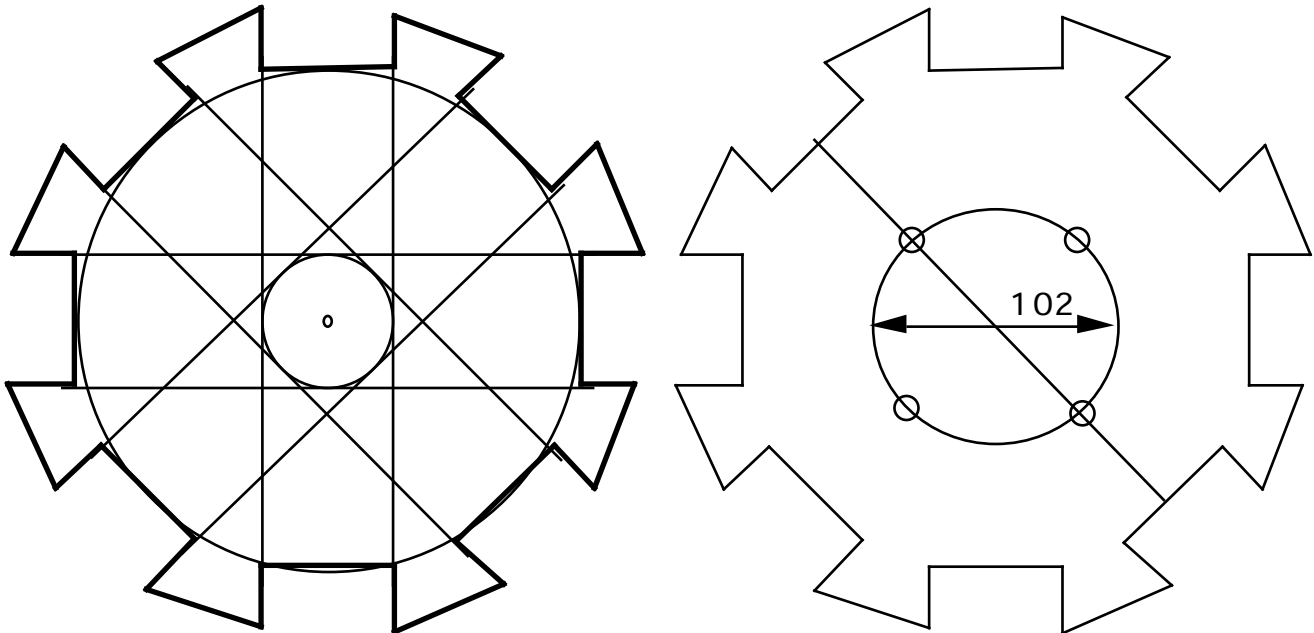
11. MARKING AND DRILLING THE PCD JIG



Magnet positioning jig (See diagram 1 2)

This jig is for putting the magnet blocks into the correct places on the steel disks. Only one jig is needed. Make the jig from 250x250 mm plywood or aluminium sheet (not steel).

12. THE MAGNET POSITIONING JIG



- Mark the centre of the workpiece.
- Draw three circles, with diameters 50mm, 102mm and 200mm, on this centre.
- Draw a pair of parallel straight lines, as tangents to the 50mm circle as shown.

- Draw 3 more pairs of straight lines at 45 and 90 degree angles to the first pair.
- Using these lines, mark the magnet positions, and cut out the jig along the bold lines as shown in the diagram.
- Draw a line connecting two opposite magnet centres.
- Place the PCD jig on top of the 102mm circle, aligned with the magnet centres, and drill four holes to match the four holes in the steel disks.

Making the moulds

Make moulds for the stator and rotor castings. They can be turned from wood or aluminium. Another method is to make plaster or clay plugs on a wheel, like a pot. The shape of the plug would be the shape of the outside of the stator. Then make a fibreglass mould on the plug. The surface of each mould must be perfectly flat.

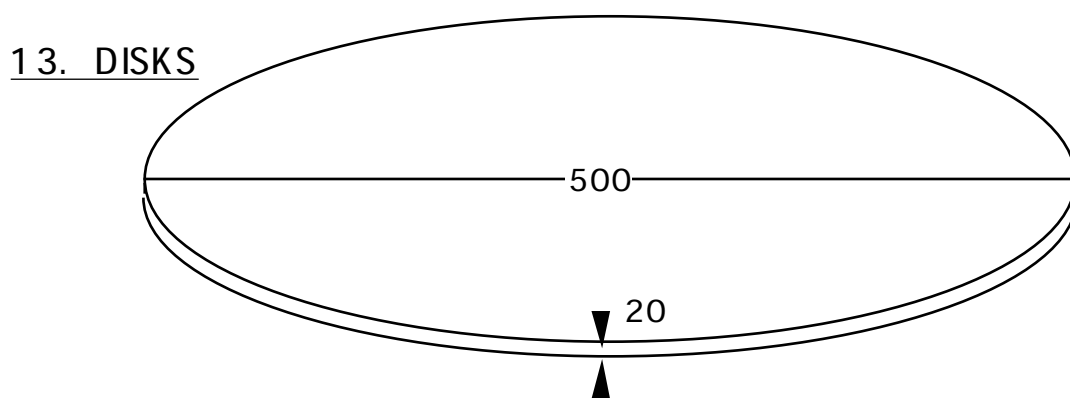
The moulds need to be strong and smooth. It is not easy to separate the stator casting from the moulds. Hammer blows are usually needed.

It is a good idea to wind one coil (see section 4) before making the stator mould. This coil should fit neatly in the mould.

Here is one way to make the moulds, from composite wooden floorboard sheets, using wood-turning.

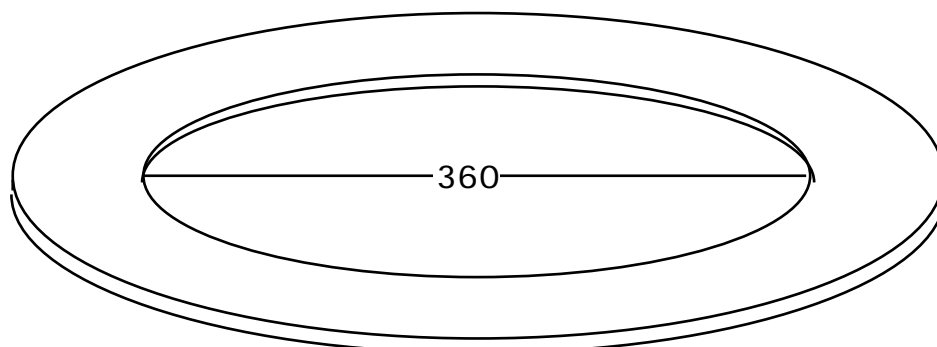
Stator Outer mould

- Cut out several disks of flooring sheet (see diagram 13), approximately 500mm diameter.



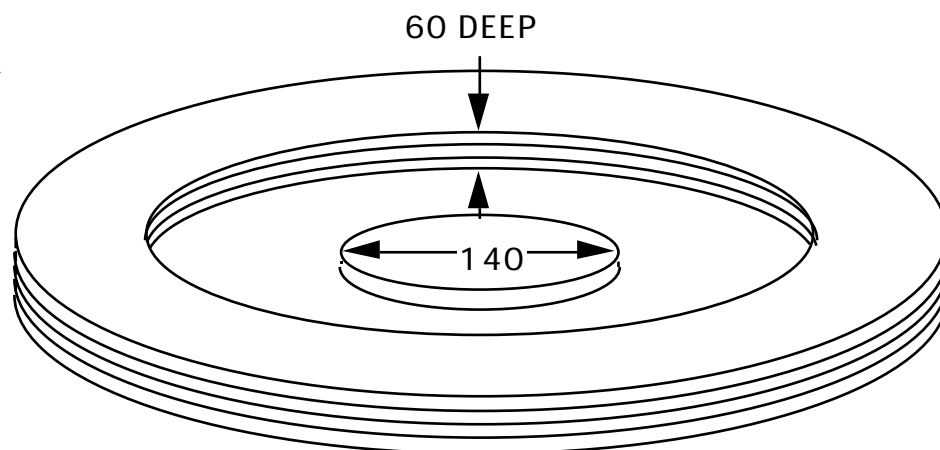
- Take all but one of the disks, and cut circular hole in each, 360mm diameter to form rings (see diagram 14).

14. RINGS



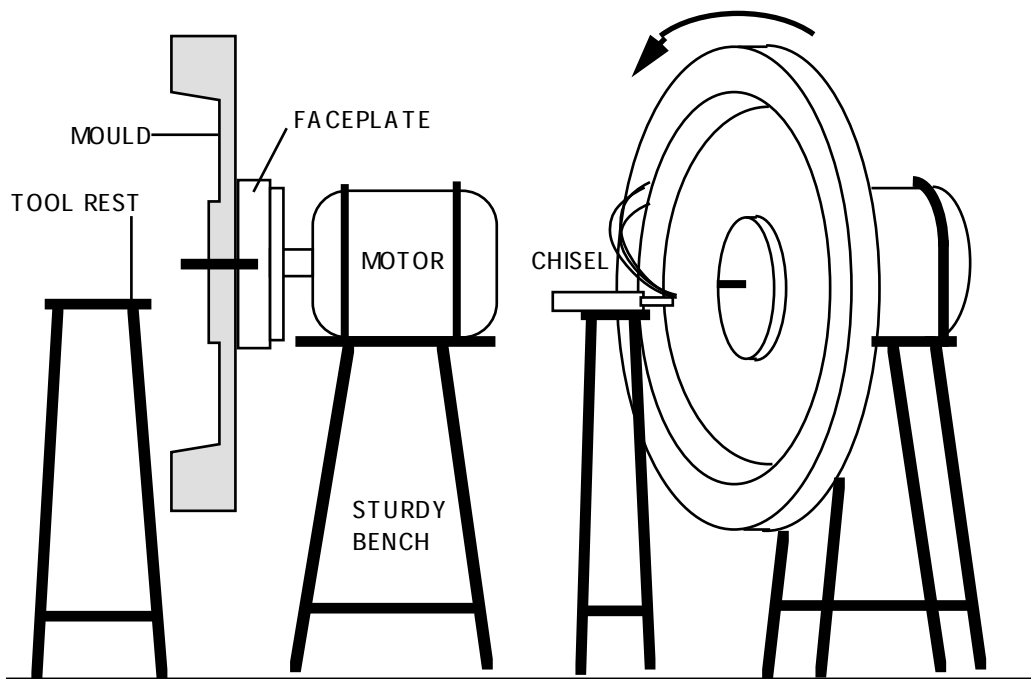
- Draw a circle 360 mm diameter on the remaining disk
- Drill a 12 mm hole at the centre of this disk, to help with centring.
- Glue the rings on top of the remaining disk, to form a stack, with a hole 60mm deep (diagram 15). Use plenty of glue at the insides of the rings.
- Cut out a small disk of 15 mm plywood, 140 mm in diameter, and drill a 12 mm hole at its centre.
- Placing a 12 mm bolt through both holes, glue the small disk into the exact centre of the hollow. Use plenty of glue at the edge of the disk.

15. STACK



- Mount another piece of wood or board onto a lathe, a motor or the wheel hub of a small vehicle (for example a 3-wheel taxi). This is the faceplate (see diagram 16).
- Spin the faceplate and use a pencil to make a very small circle at the centre.
- Drill a 12mm hole precisely at this centre. Hold the drill parallel to the shaft.
- Screw the glued stack onto the faceplate, using a 12mm bolt to centre it. Use four woodscrews through the disk and into the faceplate.
- Check that the face of the mould runs true. You can do this by holding a pencil close to it while it spins. Where the pencil makes marks, the face is 'high'. Loosen the screws and insert pieces of paper between the faceplate and the stack, on the opposite side from the pencil marks. Tighten the screws and check again.

16. TURNING A MOULD



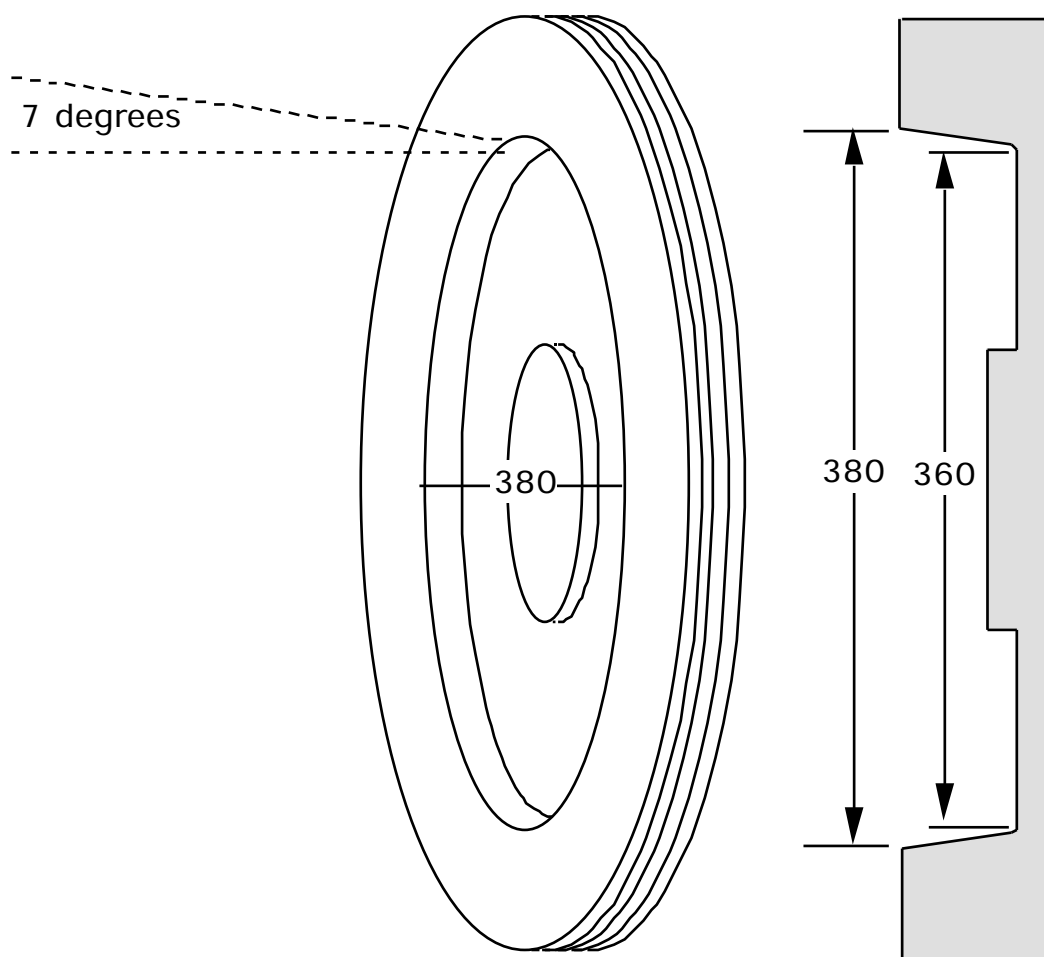
Now it is possible to shape the mould with a chisel. Wear a mask over your mouth to avoid inhaling the dust. Beware of loose clothing, which may become caught in the rotating mould.



Turning a stator mould on an electric motor

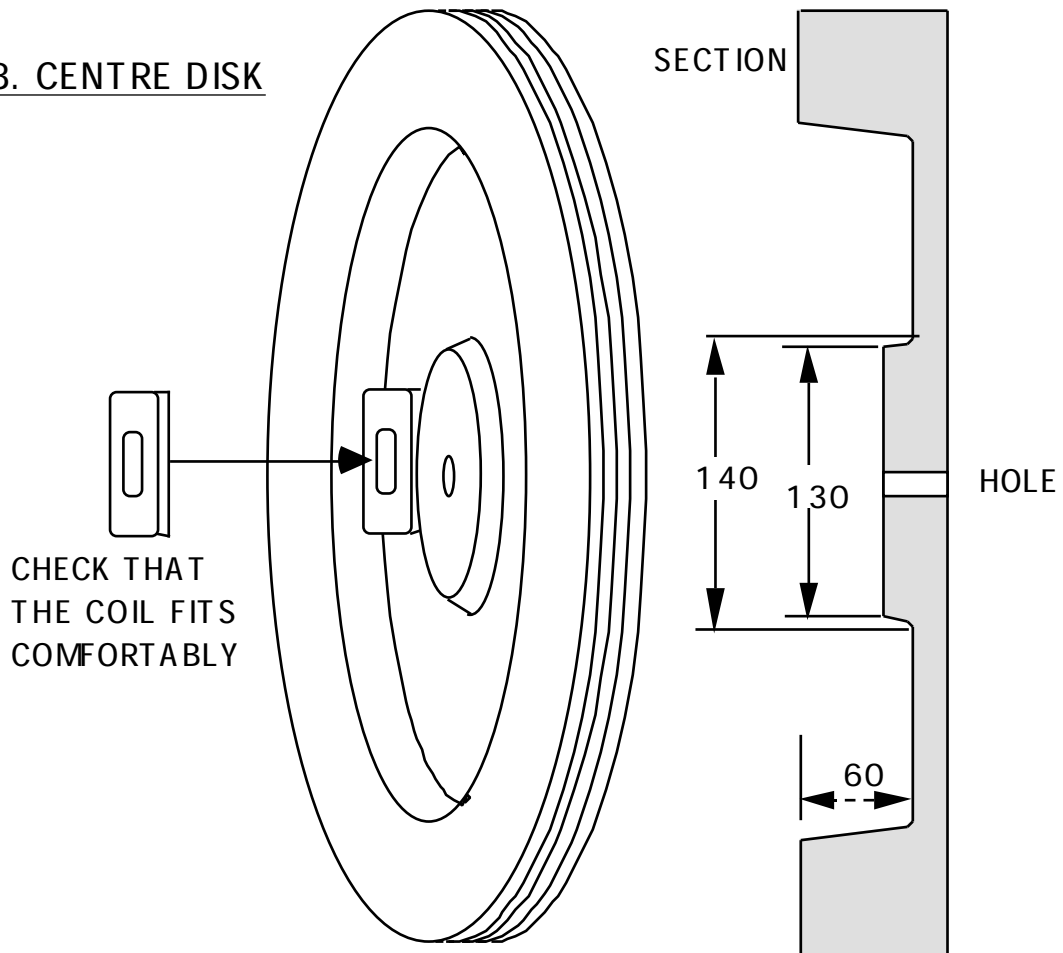
- Cut a smooth surface on the inner edges of the stack (diagram 17).
- The surface tapers at about seven degrees.
- The overall diameter at the outer edge is 380mm
- The diameter of the flat face is 360 mm.
- The corner inside is smooth (slight radius) not sharp.

17. THE SHAPE OF THE STATOR MOULD

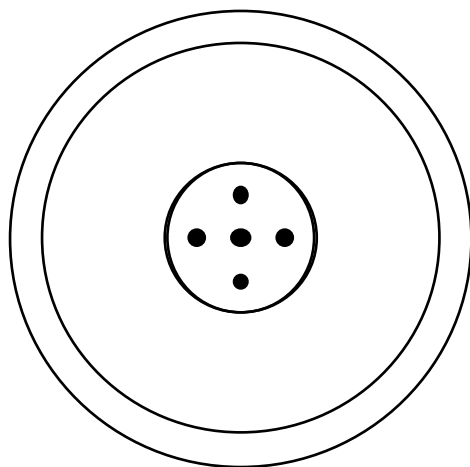


- Turn the inner disk down to 130 mm diameter on the face (see diagram 18), with a taper. The corners are rounded as before.

18. CENTRE DISK



- Place a coil against the face of the mould and check that it fits comfortably - if not, then the hollow must be made a little larger, or the centre disk a little smaller. In the end, the coil's centre must be at 250 mm from the mould centre.
- Remove the mould from the lathe or motor.

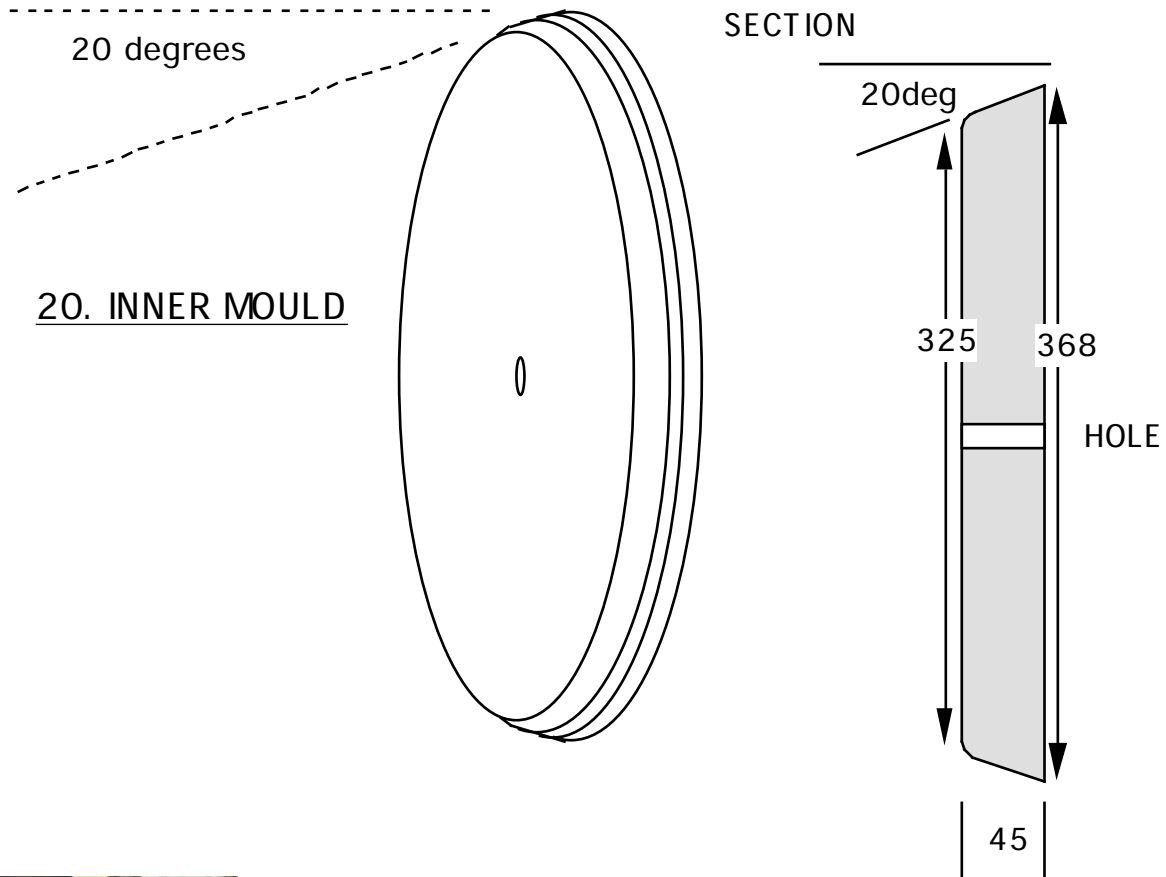


19. HOLES IN THE MOULD

Drill four holes in the central part which are used to separate the two moulds (diagram 19). Screw some small pieces of plywood onto the underside of the mould to make 'feet'.

Stator Inner mould

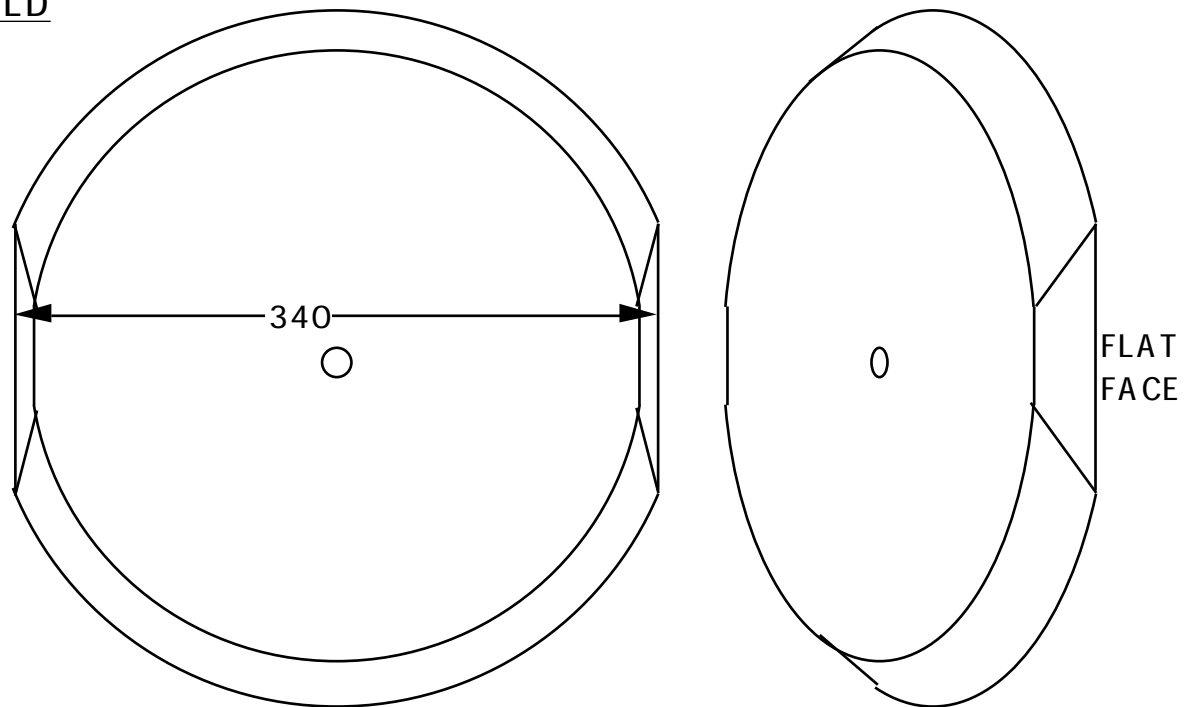
- Cut disks with diameter 370mm



Sawing flat faces on the inner mould

- Drill a 12mm hole at the centre of each
- Glue them into a stack (diagram 20), using a 12mm bolt to centre them.
- The stack is at least 45 mm thick, better 50 mm.
- Turn a 20 degree taper on the rim, and round off the corner, so that the diameter reduces from 368mm to 325mm.
- Check that the outer mod fits over the inner mould, with a 6mm gap all around the edge. Then remove the inner mould from the faceplate.
- Draw 2 lines on the larger face of the mould, 340mm apart (diagram 21)
- Cut two flat faces, as shown in diagram 21

21. CUTTING FACES ON THE INNER MOULD



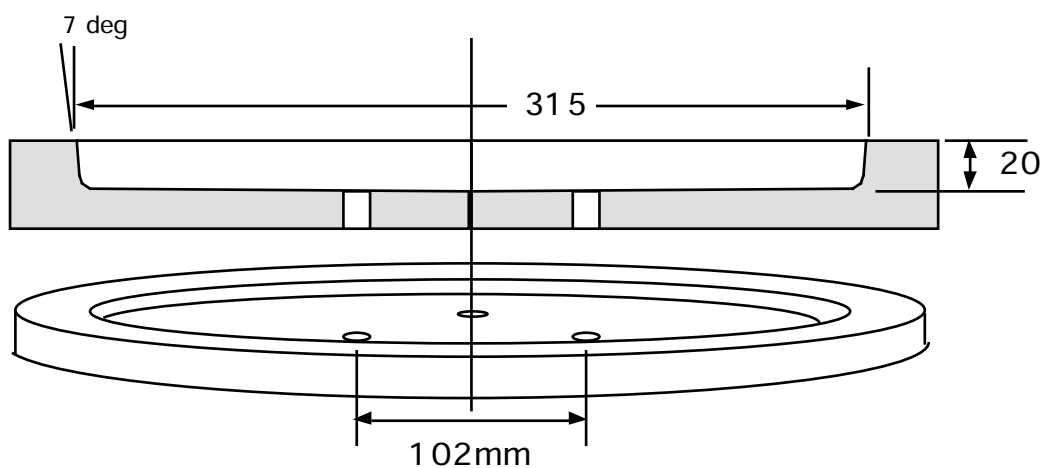
These two faces will create a thicker casting around the mounting studs.

Magnet rotor moulds

The PMG needs two magnet rotors. Only one mould is needed, but production is easier if there are two moulds, so that two rotors can be produced at one time.

The outer mould (diagram 22) is similar to the stator outer mould, but simpler

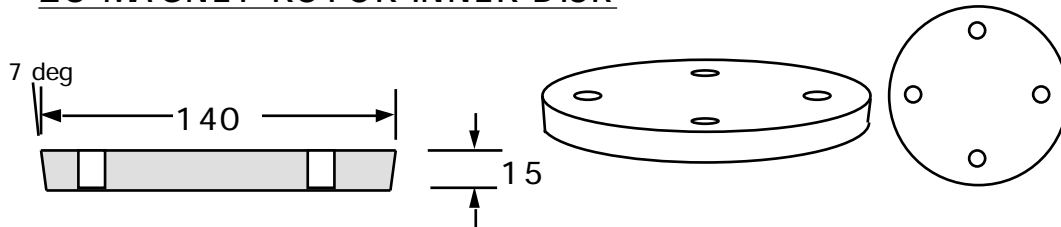
22. ROTOR MOULD



Use the PCD jig to drill four holes to match the holes in the magnet disks.

Each magnet rotor also needs an inner disk mould (diagram 23), with the same pattern of four holes.

23 MAGNET ROTOR INNER DISK



All moulds are sanded down to a very smooth surface, and finished with polyurethane varnish and wax polish. Do not use ordinary paint on the moulds. The heat of the resin process will cause the paint to wrinkle and spoil the appearance of the casting.

Rotor mould being made and used

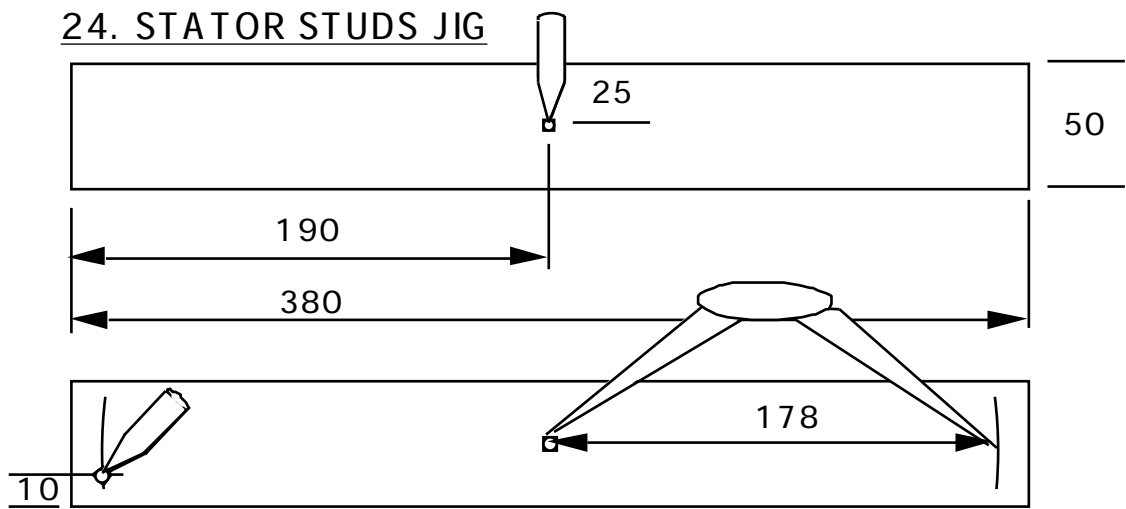


Jigs for the stator

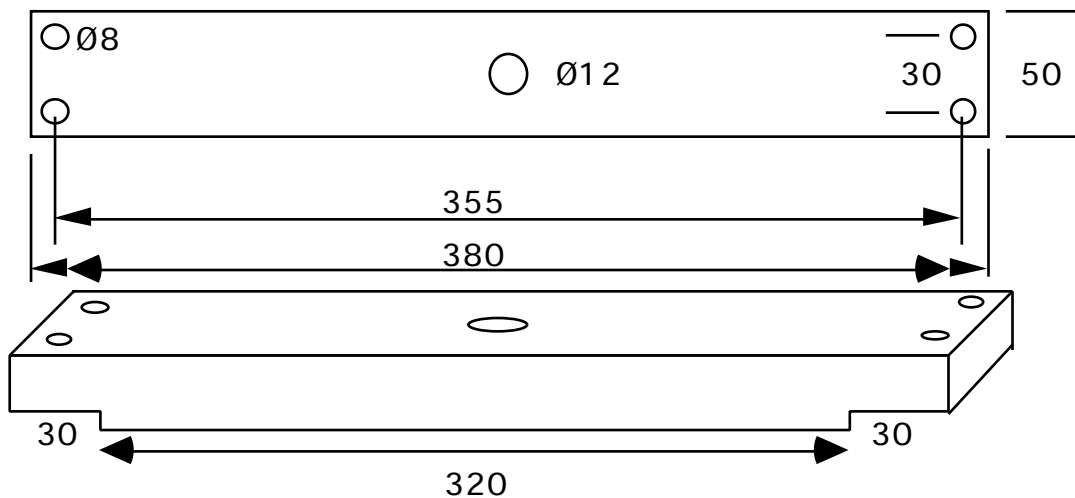
Stator studs jig (see diagram 24)

The stator needs four 8 mm supporting studs cast into it. These studs need a jig to hold them in place, until the resin is set. This jig is made from wood 380 x 50 x 25mm. It must be made precisely, or the studs will not fit the spine later.

- Make a punch mark at the exact centre of the largest face (see diagram 24).
- Use dividers or compasses to mark arcs at a radius of 178 mm from this mark.
- Punch four marks on these arcs, 30 mm apart and 10mm from the edge.
- Drill through with an 8mm drill (using a smaller size first to be accurate). Use a drill press, to drill the holes truly square.
- Remove some of the underside of the ends of the piece of wood, so as to prevent contact with the fibreglass resin.



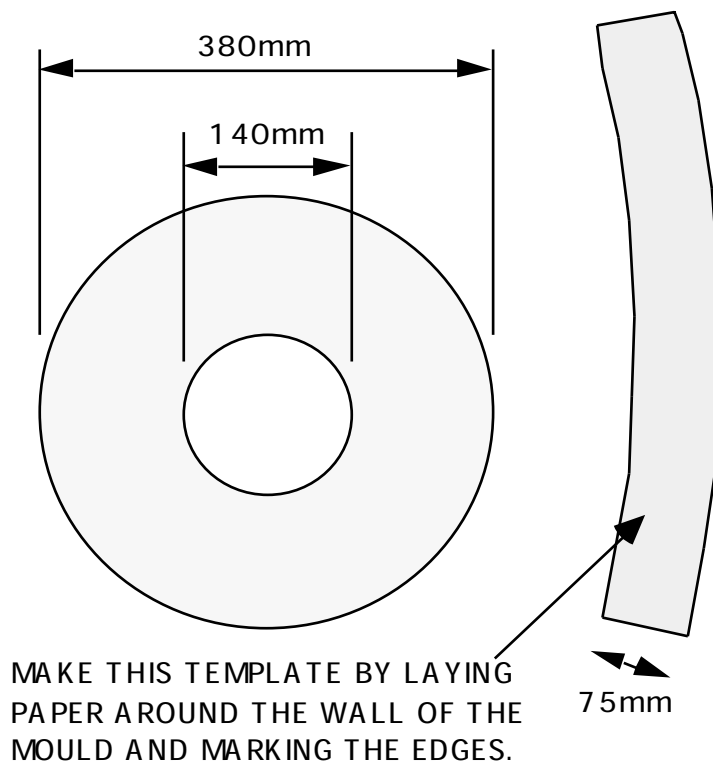
DRILL HOLES WITH A PILLAR DRILL FOR ACCURATE ALIGNMENT



Paper templates (see diagram 25)

Fibreglass 'chopped strand mat' (CSM) is to be used in the stator. Make some paper templates for cutting out the pieces of CSM. Later you can lay the templates on the sheet of CSM, draw around them with a felt pen and then cut the pieces out.

25. PAPER TEMPLATES FOR GLASSFIBRE CSM

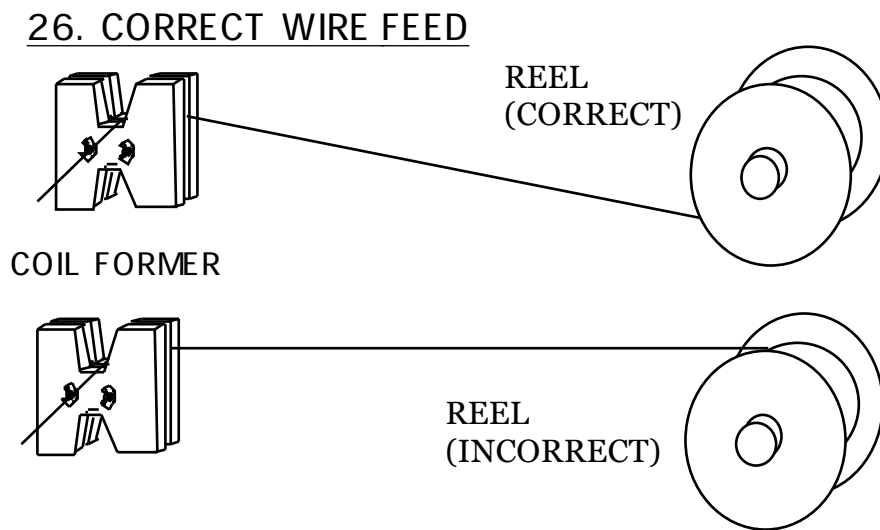


4. Stator construction

This section tells how to make a stator, using the jigs and moulds from section 3. It is a good idea to wind a coil before making the stator moulds, so that the mould can be checked for correct fit.

Winding the coils

- Mount the reel of winding wire on an axle behind you, in line with the coil former. The wire should form an 'S' bend as it winds onto the coil (diagram 26).

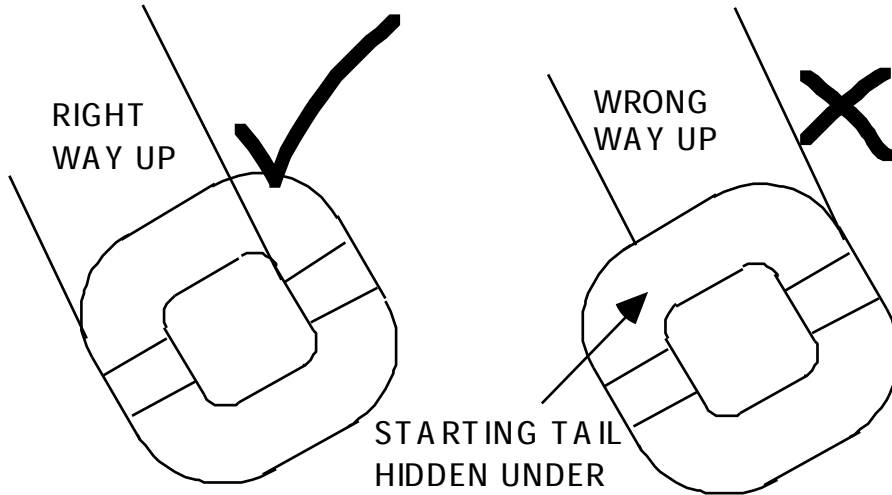


- Bend the tail of the wire 90 degrees, at a point 100mm from the end. Do not handle the bend any other part of the wire; leave it straight. Bent wire does not make a compact coil.
- Place this bend in the notch, so that the tail hangs out.
- Twist the tail loosely around one of the butterfly bolts.
- Grip the wire between the reel and the winder in a piece of rag to keep it tight.
- Wind the handle of the crankshaft.

The first turn lies against the cheek piece on the side where the tail comes out. The other turns lie against each other neatly, without crossing over. Build the coil up in even layers. Count the number of turns carefully. Normally there will be 100 turns.

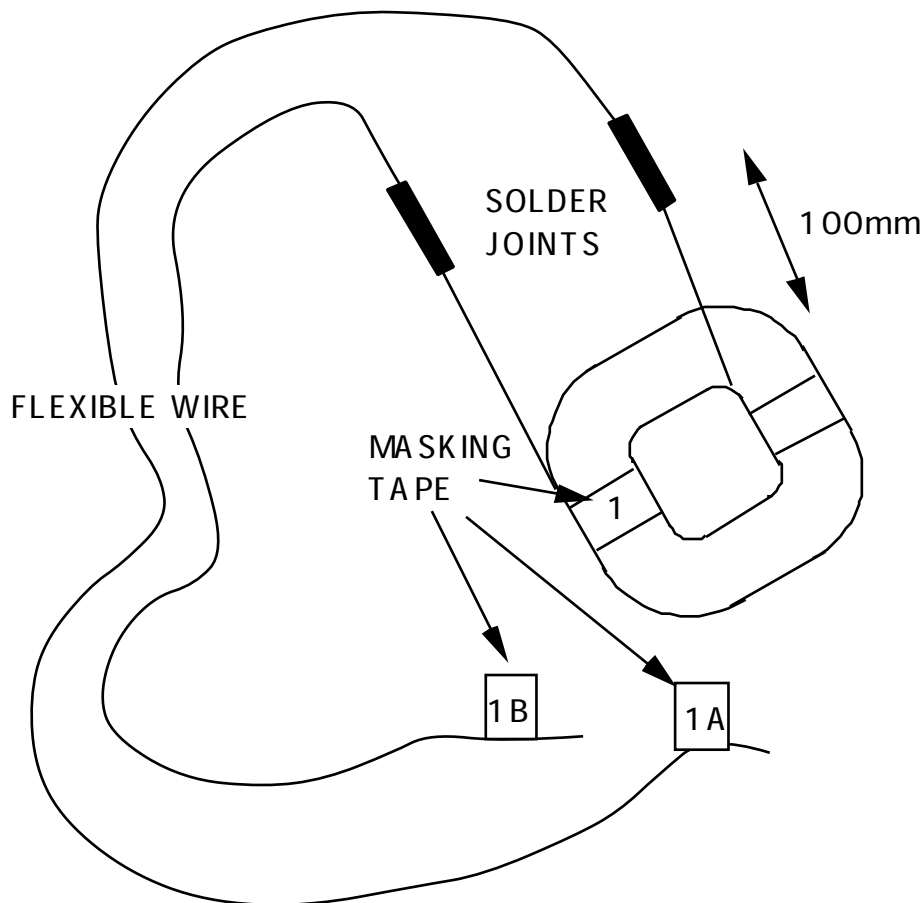
- When the coil is complete, pass a piece of sticky tape under the coil on both sides and bind it tightly. Do not cut off the winding wire until this is done, or the coil will spring out, and loosen. Cut the tail of wire 100mm away from the coil.
- Remove the coil from the former, and wind five more coils in exactly the same way.
- Place the coils on a table (so that they are all exactly the same way up (diagram 27) Check that the starting tail is on the upper surface, and not hidden under the coil.
- Number the coils 1-6, writing on the masking tape.

27. THE COILS MUST ALL BE THE SAME WAY UP



- Scrape the enamel off the last 20mm of each tail of enamelled wire, until it is all bright copper. (A hacksaw blade makes a very good scraper, when the edge has been sharpened with a grinder.)
- Solder on tails of flexible wire (diagram 28).

28. SOLDERING ON TAILS OF FLEX



Suggested lengths of flexible tails:

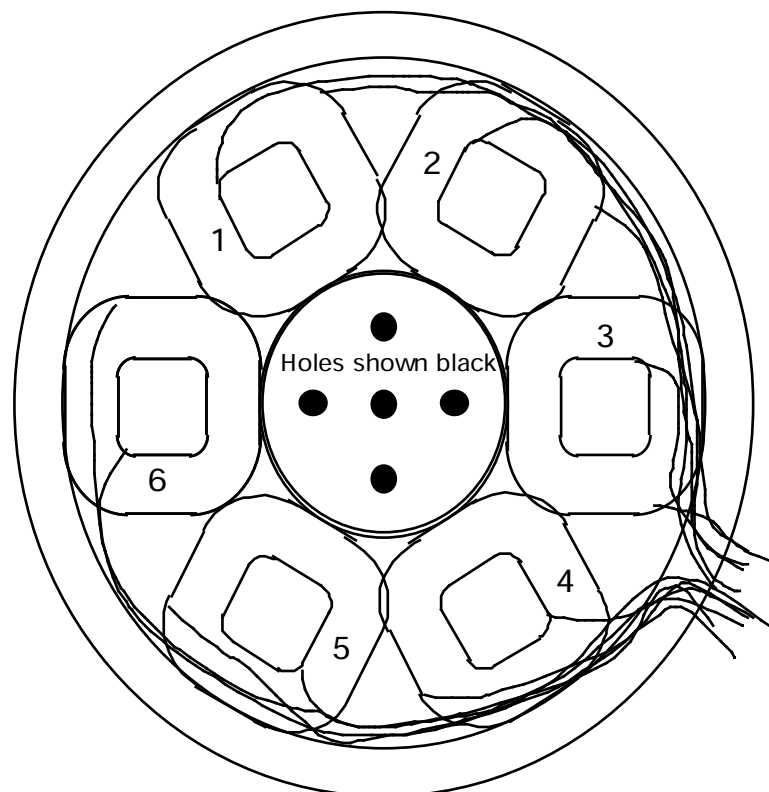
coils 1 and 6 - 800 mm flex

coils 2 and 5 - 600 mm flex

coils 3 and 4 - 400 mm flex

- Cover the soldered joints with sleeving. Leave no bare copper showing.
 - Label the tails with the coil number and the letter A or B. A is for the start of the coil, B is for the finish. Do not mix them up. Or use two colours: black flex for the starts and white for the finishes.
 - Lay the coils out in the outer mould.
 - Check that they will fit comfortably, and that the tails are long enough to remain within the mould until the exit point between coils 3 and 4.
- It is important to lay all the coils the same way up.

29. THE COILS IN THE MOULD



Preparations for stator casting

The stator casting will contain: -

- six coils
- polyester resin and talcum powder (and perhaps pigment)
- fibreglass mat (CSM)
- four studs of 8mm x 100mm threaded rod

Also, be sure to have the moulds prepared properly. Sand them, seal them, polish them. If PVA release agent can be got, then use it.

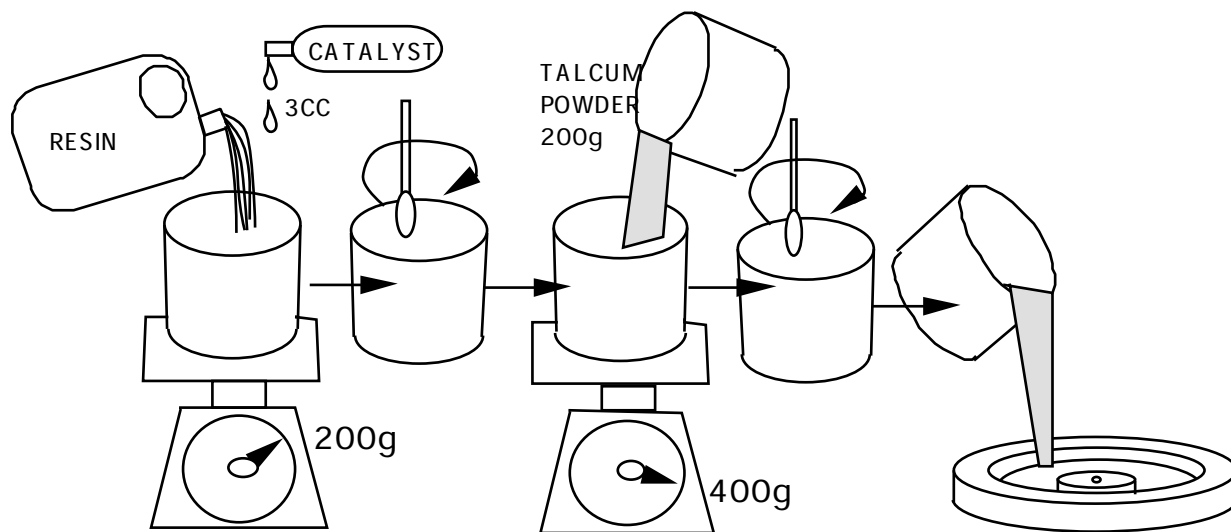
Cut out pieces of fibreglass CSM, using the templates. There will be 2 circular disks for laying flat in the outer mould. You also need enough curved strip pieces to cover the inside wall of the outer mould in a double thickness of CSM. Overlap 25mm between pieces.

When you are sure that you have everything to hand, start the resin casting process. It is a good idea to read through the procedure first, and check that you understand it all before you start. There are notes on polyester resins in section 8.

The stator casting procedure

Diagram 30 shows the procedure for weighing out the resin and the talcum powder. The talcum powder is only used for bulk mixes (not thin layers with CSM), to prevent overheating, and to thicken the mix. Different mixes use different weights - follow the step by step instructions below. Diagram 31 shows all the parts coming together.

30. MIXING POLYESTER RESIN



Mix resin with catalyst thoroughly but slowly to avoid churning in air bubbles. Add any talcum powder only after the catalyst is mixed. When the resin is mixed, use it at once. After a few minutes in the mixing bucket, it will heat up, and begin to set.

Use exactly the right amount of catalyst. Resin casting needs less catalyst than normal fibreglass work (about half the time). When the workshop is hot, put in less catalyst. Casting thick layers of resin, put in less catalyst. If in doubt, make some trial mixes of resin, to find out the correct amount of catalyst.

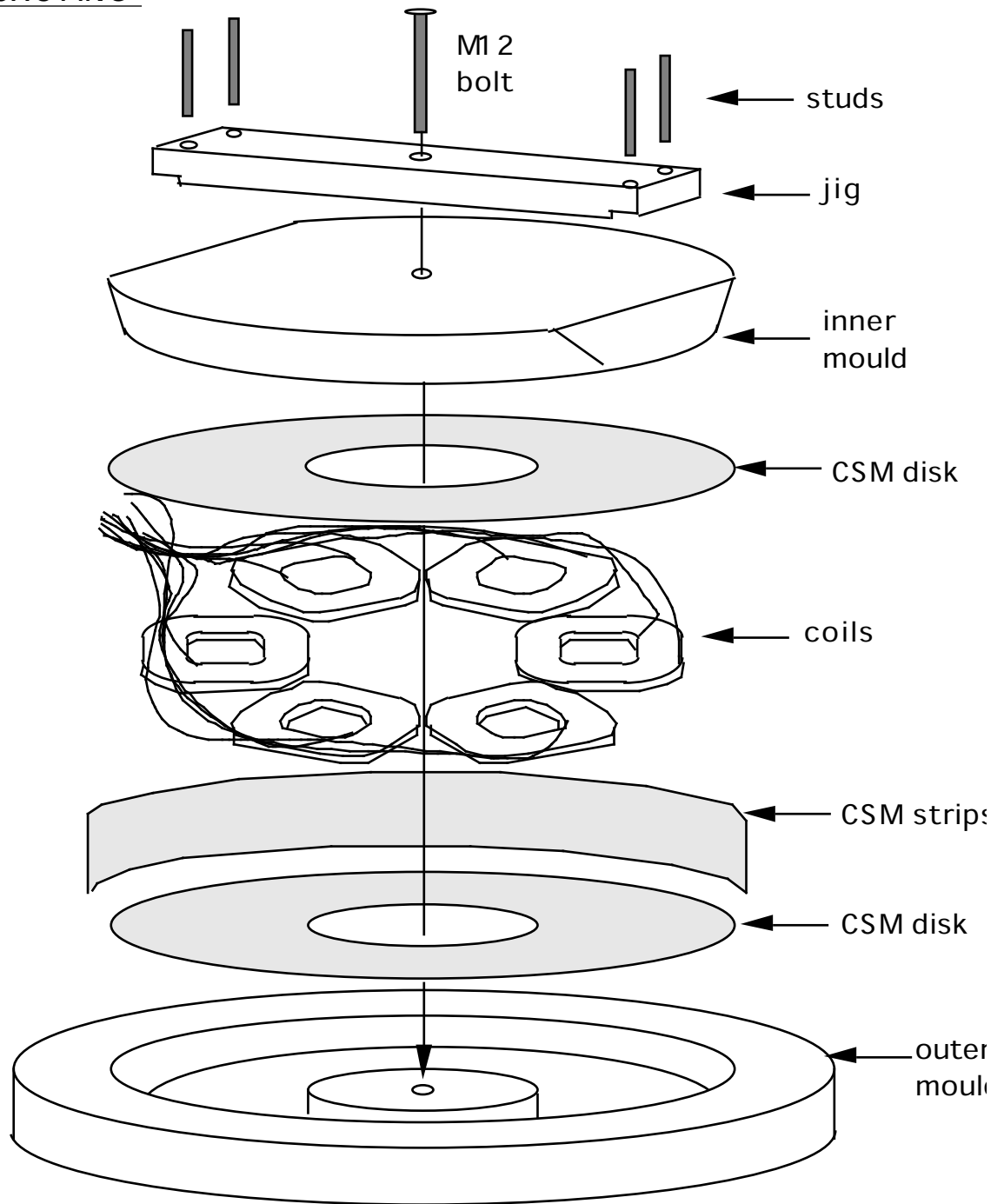
If there is no PVA 'release agent', then take care not to wipe the polish off the mould with brush strokes. Apply the resin with a 'prodding' action.

- Place the outer mould on some newspaper on a workbench.
- Mix 200g of resin, with 3cc of catalyst (and 15-30cc of pigment for colour, if required). Use no talcum powder in the first two mixes.
- Paint this resin all over the inside of the outer mould. Do not paint it on top of the island in the centre.
- Apply one layer of fibreglass mat (CSM), and paint more resin over it again, with a poking motion to remove bubbles. Work the resin into the CSM.
- Apply a second layer of CSM to the wall, but keep one disk for later.
- Put the coils into the mould. The wire tails all come out in one place, between coils 3 and 4.
- Mix another 100 g of resin with 2cc catalyst. Pour this over the wires of the coils so that it soaks in. Avoid making 'pools' of resin.
- Mix another 600g of resin with 9cc catalyst and 600g of talcum powder. Pour this mix into the spaces between the coils. The resin should fill the outer mould until it is level with the island at the centre.
- Shake the mould vigorously, to remove air bubbles. Rotary motion and vibration will help the resin to settle, and help any air bubbles to rise .
- Mix another 200g resin with 3cc catalyst and only 100g of talc. Put the second CSM disk over the coils and paint it with this mix. Thoroughly wash out the paint brush with thinners.
- Put the inner mould down inside the outer mould, and fit the 12 mm bolt through the centre of both. Tuck the wiring neatly into the space between the moulds. One flat spot on the inner mould sits over the part where the wires come out of the stator. The resin will rise up the sides. Some resin may spill out.
- If necessary, pour resin gently into the gap between the moulds until it rises to near the top of the female mould. You may need to mix another 100g of resin with 1.5cc of catalyst to do this. Keep notes of the amounts of resin used, for next time.
- Place the jig (for the studs - diagram 24) over the inner mould, with one end over the wire tails. Tighten the 12mm bolt with a nut. Insert the four 8mm studs into the holes, with nuts on top. The studs should be immersed in resin for about half of their length.



Six stages of the rotor casting procedure

31. STATOR CASTING ELEMENTS



The casting is now complete. It should become slightly warm, and harden within hours. If it does not begin to set within a few hours, then put it in a warm place to speed up the process.

When the resin is fully hard, remove the casting from the mould. Be patient and gentle if possible. Remove the jig from the studs. Tap the two moulds apart, using a bolt in each of the holes around the central hole. Knock the casting out of the outer mould by turning it over and knocking the edge of the mould gently against the floor.

5. Rotor construction

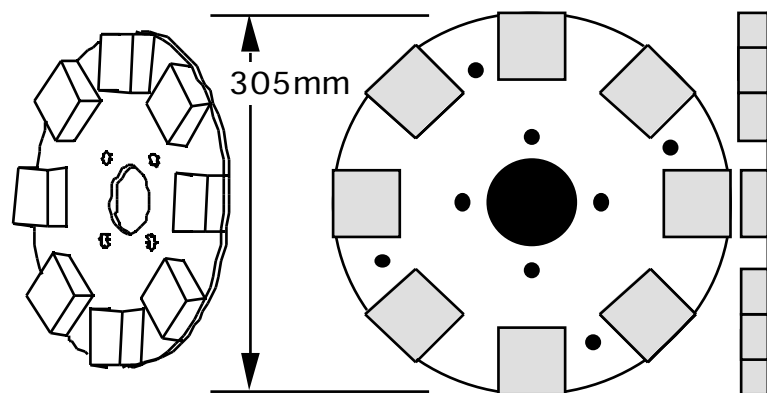
The magnet rotor is also a casting. There is also a procedure later for assembling the parts. First collect together the magnet plates, magnet blocks, stainless wire rope, etc. as described next.

Magnet plates

Each magnet rotor is built on a steel disk, 6mm thick. See diagram 32. Do not use aluminium or stainless steel for this disk! The disks have to be made of magnetic material. The disk has holes to mount it to the hub - in this manual the hub has four holes, each 10mm diameter, on a circle at 4 inches (102mm) PCD. If a different hub is chosen, then all the jigs and moulds must match this hub.

At the centre of the disk is a 65mm diameter hole. There should also be four holes drilled and tapped (threaded) for M10 rod between the magnet positions, at 220mm PCD. Screw four pieces of M10 rod, 20mm long, into these holes. These will bond to the resin and help to secure the casting onto the disk.

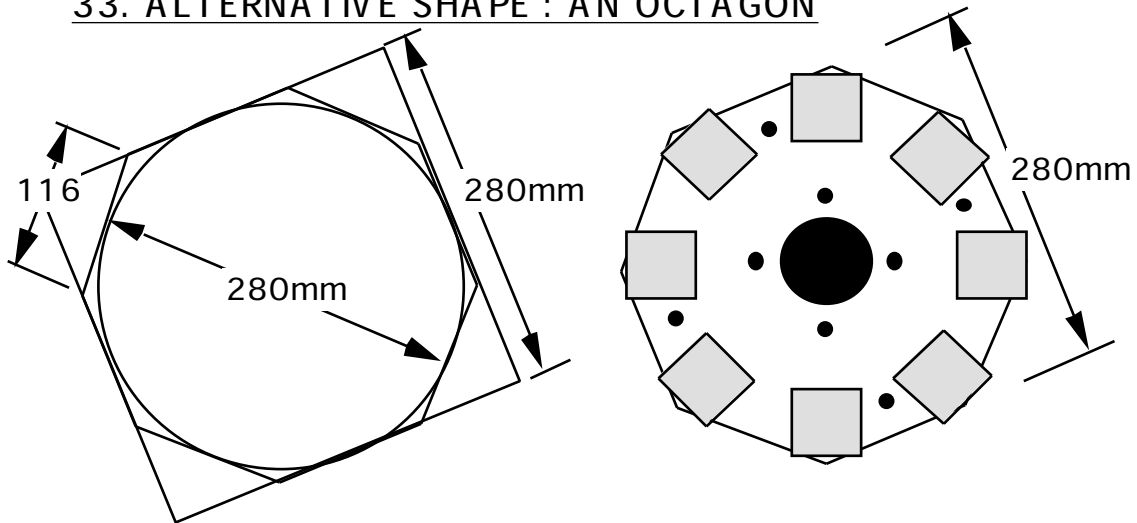
32. MAGNET ROTOR DISK



The magnet plates must be flat, not warped. It is not easy to cut the outer circle without warping the plate. A guillotine can cut steel plate into an octagon (see diagram 33), without warping the plate. This is an alternative way to make the rotor disk. First cut a square, draw a circle on it, and then cut off the corners at 45 degrees. The length of each edge is 116 mm.

The magnets will be placed on the corners of the octagon.

33. ALTERNATIVE SHAPE : AN OCTAGON



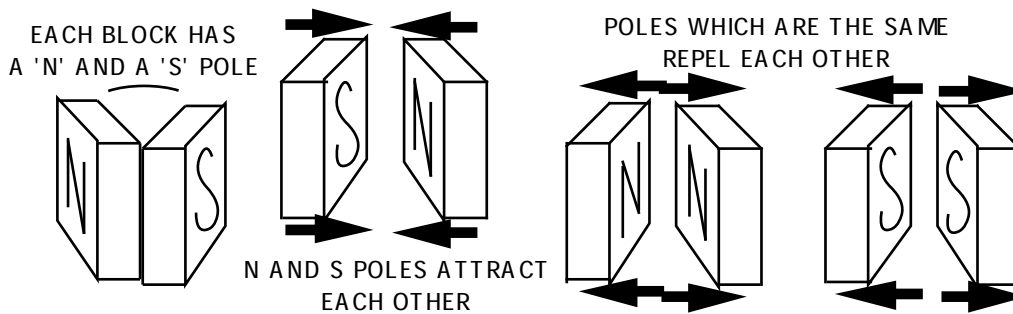
The central hole is made with a hole-saw or it can be cut out on a lathe.

Grind the steel disks until they are bright and clean, just before putting them in the mould for resin casting. Remove any grease with spirits.

Magnet blocks

There are 8 magnet blocks on each rotor. Each block has a north pole and a south pole (see diagram 34).

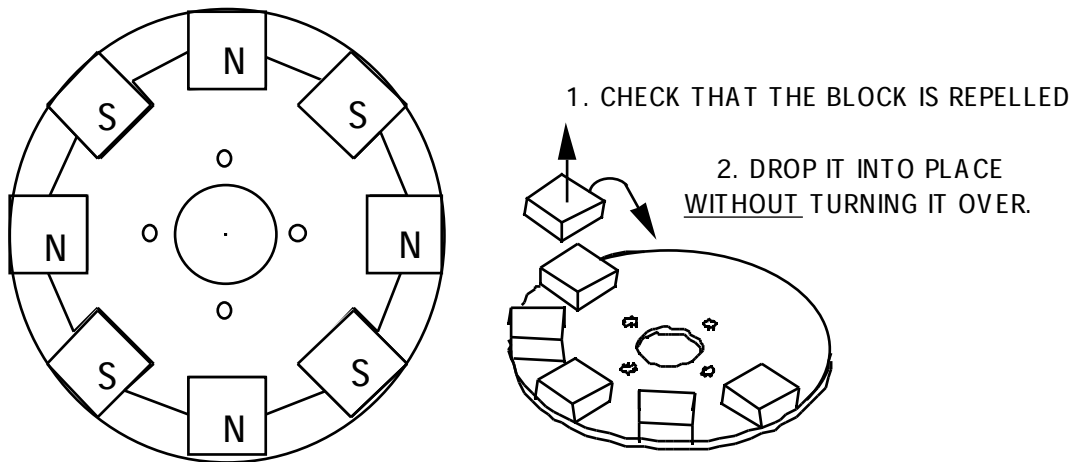
34. POLES ON THE MAGNET BLOCKS



Take care when handling the magnets. Magnets can damage floppy discs, music tapes, credit cards and other magnetic media. Separate them from each other by sliding them sideways. They attract each other with strong forces. Take care not to let them fly together - they may break. Never use a hammer to assemble the PMG. You may break a magnet or break the resin holding it.

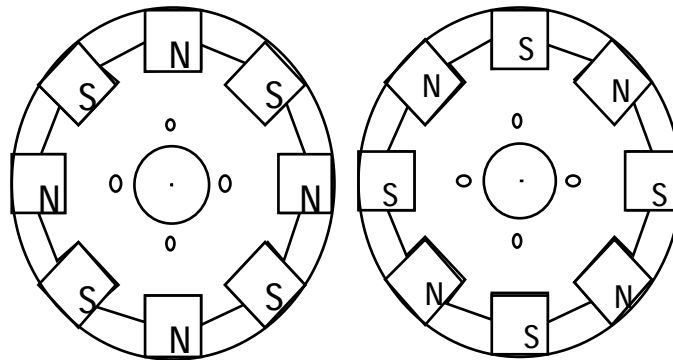
The top faces of the magnet blocks on the disk must alternate N-S-N-S-... There is a method to check that you are doing this correctly, as follows. Each time a magnet block is placed, hold it so that it repels the one before (see diagram 35). Then place it without turning it over. When they are all in, check with another magnet: it will be attracted, repelled, attracted, repelled, by each magnet in the circle.

35. PLACING THE MAGNET BLOCKS



The two magnet rotors must attract each other when the mounting holes are aligned. Check that the magnets next to the holes on one rotor are different from the ones next to the holes on the other rotor (see diagram 36).

36. THE TWO ROTORS ARE NOT THE SAME



Stainless Steel wire

When the PMG is turning, the magnets will try to fly off the rotors. There is a large centrifugal force pulling the magnet blocks to fly away. When we started building these PMGs, the magnet blocks were simply glued to the steel disks. When the PMGs turned fast, the magnets flew off, and the wind generators were destroyed.

Now we embed the magnets in a resin casting. Resin alone is not strong enough to hold the magnets. It should be reinforced. Wrap wire around the outside of the magnet rotors to hold the magnets in. Steel wire is strong enough, but steel would take the magnetism from the magnet blocks. We use stainless steel because it is not magnetic and it does not spoil the effect of the magnets. Stainless steel wire cable is used on fishing boats.

Before using any resin assemble the parts dry. Put the stainless steel rope around outside the magnets five times, and cut it off with a grinder or chisel. Tape it in several places so that it is in a coil, ready to drop into place later.

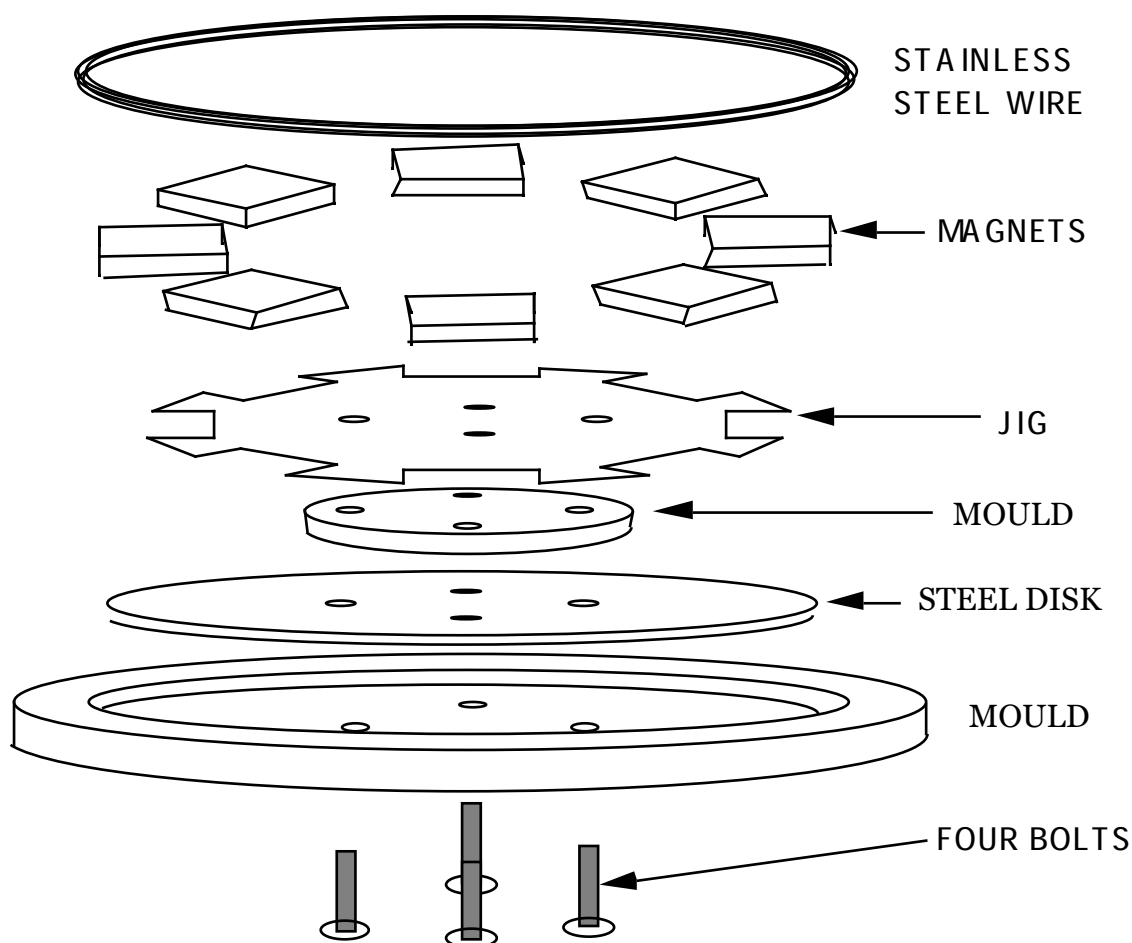
Rotor casting procedure

Before starting, check that everything is ready:

- the moulds are prepared with polish or release agent,
- the magnets and the magnet disks are clean and bright (no grease),
- 16 strips of CSM are ready to fit between the magnets
- the stainless steel wire is cut to length and taped
- the magnet positioning jig is ready

The amounts of resin mentioned in this procedure are enough for two magnet rotors.

37. MAGNET ROTOR MOULD ASSEMBLY

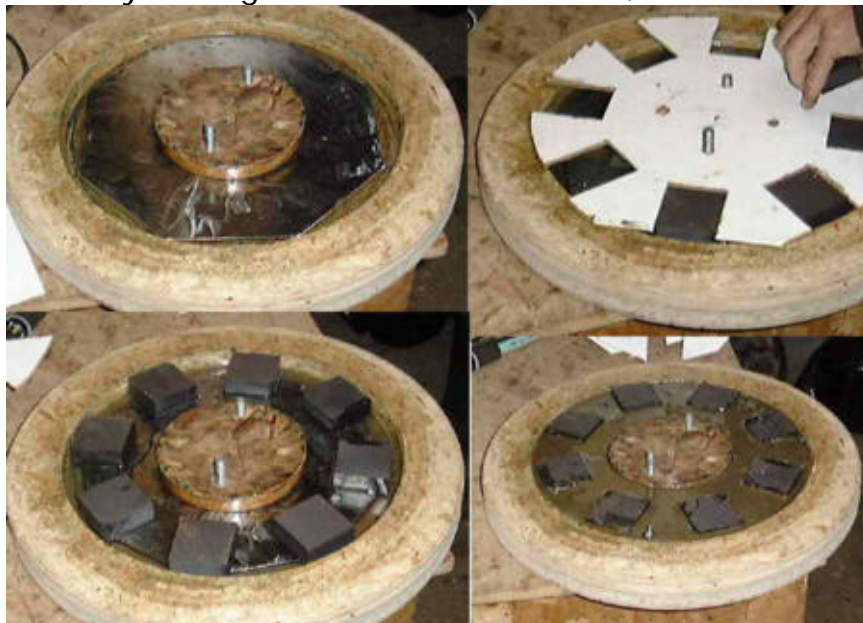


- Place four bolts through the holes in the outer mould, from below (see diagram 37). Lay a steel disk in the outer mould. Place the inner mould on top. Check the taper, and place the smaller face down, so that it can be easily removed after casting.
- Mix 200g of resin with 3cc catalyst. Paint it all over the steel disk. Add 20g of pigment for colour if required. Mix 100g talcum powder with the remains of the

resin. Pour this mix around the edge of the disk until it fills the gap, level with the top of the steel disk.

- Place the magnet positioning jig onto the bolts. Place the magnet blocks on the steel disk, within the positioning jig. Take care that the poles of the magnets alternate - north, south, north, south.. Before you place a magnet on the disk, check that the underside of the magnet is repelled by the one next to it (diagram 35). When all the magnets are in, remove the positioning jig, and use it for the next magnet rotor. Remember : position the magnet blocks differently, so that the two rotors attract each other. Take care not to knock the magnets out of place, or they will slide together under the magnetic attraction.
- Fit nuts to the four bolts and tighten the central disk down onto the steel disk.
- Mix 500g of resin with 7 cc of catalyst. Add 300g talcum powder. Lay small strips of CSM between the magnets and into the gap at the edge. Add resin until the CSM is soaked. Poke it, or vibrate it, to remove bubbles.
- Lay the coil of stainless steel wire loosely around the outside of the magnets, below the top of the mould. Do not let the wire fall below the magnets. Let it sit on the CSM. Take care not to move the magnets around.
- Mix 500g of resin with 7 cc of catalyst. Add 300g talcum powder. Fill the spaces between the magnets until the resin mix reaches the top of the mould.

Leave the rotor castings to set hard (several hours) before you remove them from the moulds. Be patient when removing the rotors from the moulds. Do not use violent hammer blows which may damage them. Hit the mould, and not the rotor.



Four stages of the rotor casting procedure

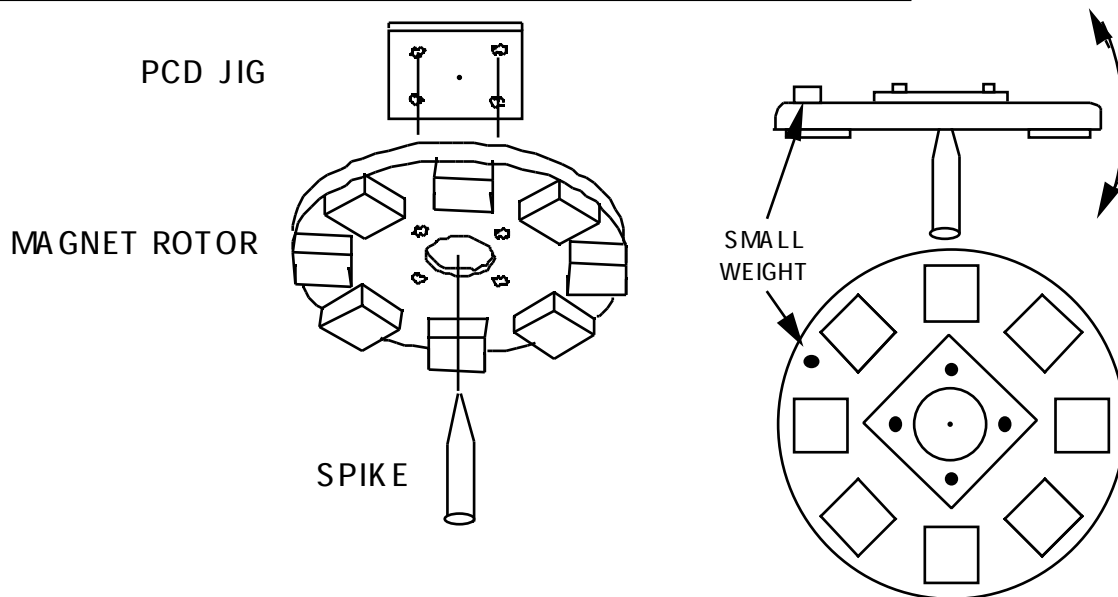
6. Assembly

Rotor balancing

Each rotor should be balanced, or the PMG will shake when it is turning. The whole PMG needs to be balanced again at the end, because the rotors may not be mounted exactly centrally. A different procedure is used for the final balancing in Section 6.

To balance a magnet rotor (see diagram 38), first attach the PCD jig (from diagram 11), using four bolts. Then balance the rotor on a spike as shown:

38. ASSEMBLY OF THE BALANCING JIG AND SPIKE



If the rotor will sit level, then it is balanced. If it will not sit level, then add small weights to it, or drill out some of the resin between magnets, until it will sit level. Turn the PCD jig around on the rotor, and check it again. Replace any weights with pieces of M10 threaded rod, screwed into holes in the resin between the magnets.

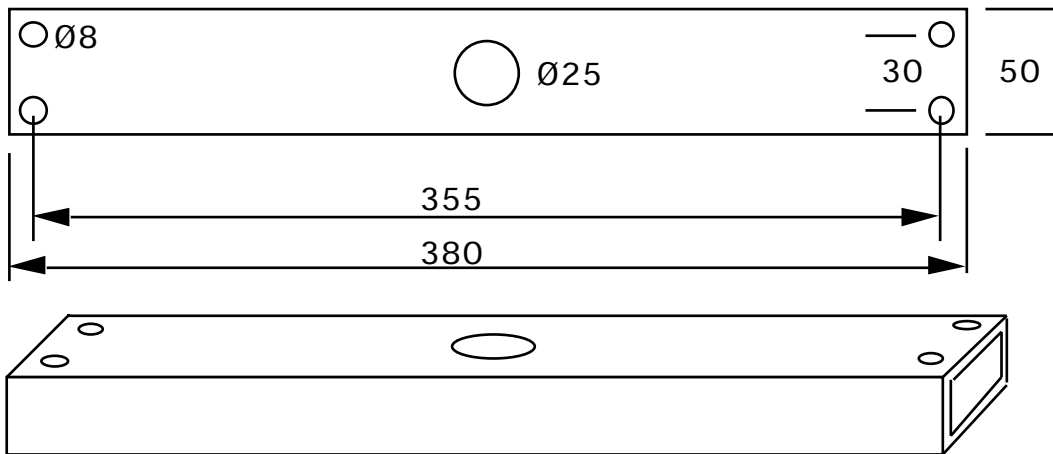
PMG spine and bearing hub (see diagram 39)

Make the spine of the PMG from a 380mm length of 'box section' steel tube 50x25x4mm (sometimes called RHS). Mark the exact centre of one large face, and then mark four 8mm holes, in the same way as for the 'stator studs jig'. It could also be possible to use the stator studs jig to help drill the holes.

The hole at the centre is 25mm (or to suit the shaft used). Drill this with a hole-saw, or bore it on a lathe.

39. THE BOX SECTION SPINE

DRILL HOLES WITH A PILLAR DRILL FOR ACCURATE ALIGNMENT

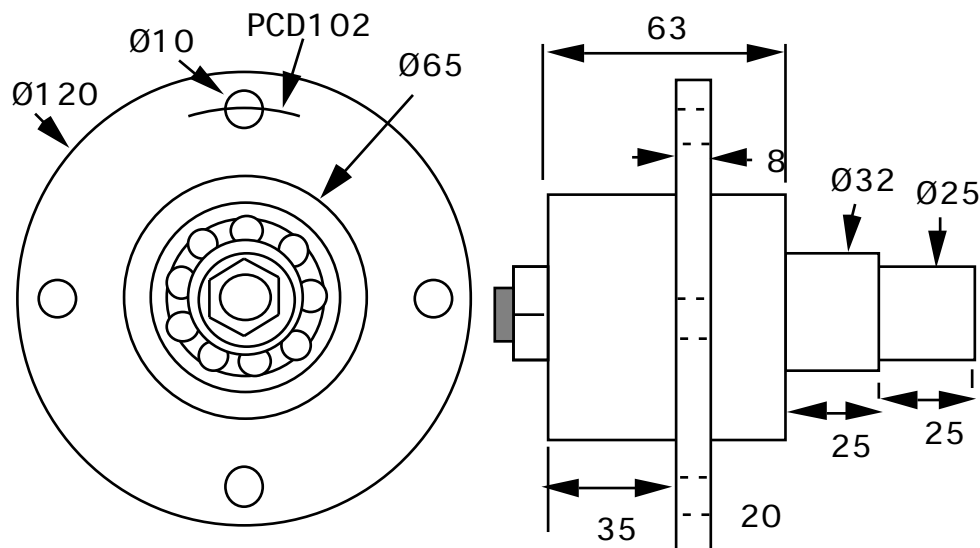


Weld the shaft in the 25mm hole. Take care to hold the shaft as square as possible (90 degrees) to the spine, when welding it.

The bearing hub (diagram 40) fits on the shaft. It has two 50x25 mm deep-groove ballraces in it, with a spacer between them. It needs a plastic cap over the end to keep dirt out of the bearings.

Do not forget to grease the bearings. Pack them with grease around half of their circumference only. Do not fill them entirely or they will become stiff to turn.

40. THE BEARING HUB



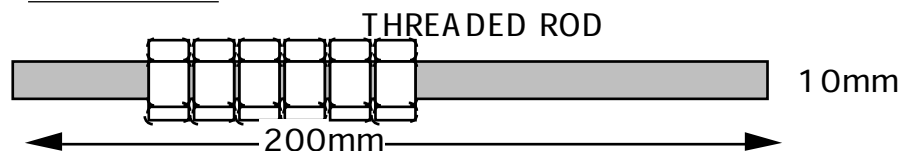
Photos show the rear magnet rotor being fitted

PMG assembly

- Cut 4 pieces of M10 threaded rod, each 200 long. They are used as studs to hold the magnet rotors to the hub. The wind turbine blades will also mount onto these studs.
- Put 6 nuts onto each stud) see diagram 41).
- Fit the studs through the holes in the bearing hub, from the front
- Put the rear magnet rotor onto the ends of the studs.
- Put a nut on the end of each stud, and tighten the other nuts down, so that the rear magnet rotor is attached to the back of the hub flange. The outer end nut should be sealed with paint or thread-sealant.
- Place the spine in a vice with the shaft upward. Place the hub onto the shaft. Do not hammer the magnet rotor while fitting. Fasten the hub to the shaft with a nut and split pin. Do not over tighten the nut. Fit a dust cover over the end of the bearing hub.



41. STUDS



- Rotate the magnet rotor past a piece of brass wire. Do not use steel wire, because it is attracted to the magnets. The magnet faces should all be at the same height +/- 0.5mm. If not, use very thin shims between hub-flange and rotor-disk, to adjust the rotor.
- Using a spirit level, adjust the spine in the vice until the magnet rotor is level. Check both ways: north-south and east-west.
- Take the stator. Fit one 8 mm nut onto each support stud. Screw them right down.

- Place the stator over the rear magnet rotor and fit its support studs into the holes in the spine. Fit more 8 mm nuts to the ends of the studs.
- Slowly lower the stator, and rotate the rear magnet rotor. Keep the stator level in both directions. You will hear a sound when the highest magnet touches the stator.
- Use the nuts to raise the stator equally 1 mm on all four studs.
- Fit some washers to the 10 mm studs which hold the rotors. Always the same number of nuts and washers on each stud. A total of six nuts and two washers may be enough. Then fit the front magnet rotor.



Fitting the stator



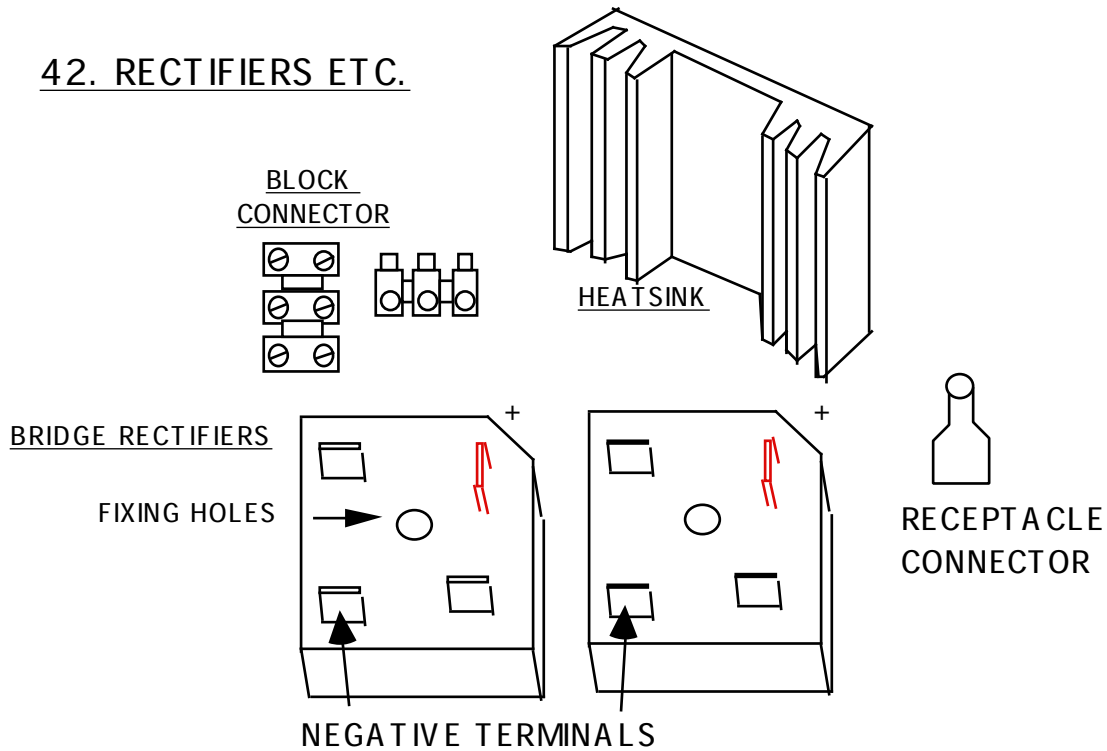
Fitting the front magnet rotor

- If the front magnet rotor is less than 1 mm from the stator at any point, then add more washers under it. If it is much more than 1 mm from the stator then remove washers. To find the correct number it is necessary to remove washers until it begins to rub the stator. Then add 1 mm.
- When the front rotor is 1 mm from the stator, then fit more nuts on top, and tighten them securely.

Electrical Parts

The next section (Section 7) will describe how to connect the rectifier to the stator. I recommend using two 'single phase bridge rectifiers' (see diagram 42). They come in blocks 30 x 30 mm. The positive terminals are both connected to the battery positive terminal. (They are often at right angles to the other three.) Both negative terminals are connect to the battery negative. The remaining four terminals are for AC connection to the stator. You will probably only need to use three of these, connected as desired to suit the speed (see Section 7).

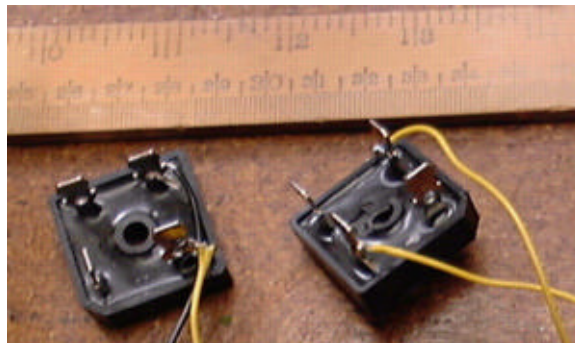
42. RECTIFIERS ETC.



'Block connectors' are useful for connecting the wires from the stator. Alternatively soldering or crimping would be fine.

Use solder, or crimped 'receptacle' connectors, to connect wires to the rectifiers. Take care not to overheat the rectifiers while soldering. Bolt the rectifiers onto the heatsink, which will probably look like the one in the diagram, but can be any piece of aluminium approximately 250 grams or more in weight.

Keep all the connections under a weatherproof cover.



Two bridge rectifiers

7. Testing and connecting

Check that the PMG has no faults before it is put into use. It will be much easier to correct the faults now, than to return the unit to the workshop later.

Mechanical testing

Mount the spine vertically in a vice. The magnet rotors are free to move. The shaft is horizontal, as it will be in a wind generator. Check that the wires are not touching each other, creating a short circuit which makes the PMG harder to turn.

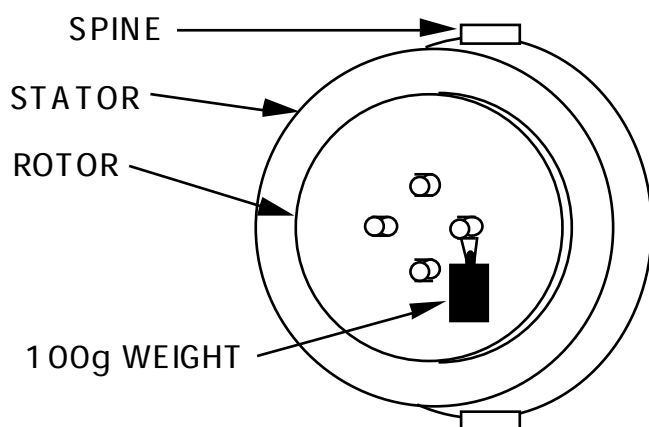
Check that the rotor will spin freely.

Spin the rotor and listen for sounds. There should not be any scuffing or brushing of the rotor, as it turns. It should spin freely for several seconds and gradually come to a halt. If it slows down rapidly then there may be an electrical fault, or the bearings may be over-tightened.

Grasp the stator with both hands. Push one side backward while pulling the other side forward, while the rotor is spinning. It must not touch the rotor. If there is a rubbing sound, then it may be necessary to disassemble the PMG and assemble it more carefully, with more space between the rotor and the stator. Or it may be possible to correct the problem by making minor adjustments to the stator mounting studs.

Stop the rotor with one of the studs in the 3 o'clock position (diagram 43). Hang an object weighing 100 grams on this stud. The rotor should begin to turn clockwise. If it will not turn, then the bearings may be over-greased or too tight.

43. HANG A WEIGHT ON ONE OF THE STUDS



Checking the balance

The rotors have already been balanced in section 6. The wind turbine blades must also be balanced in the same way. When the unit is assembled, you should check the balance again using the new procedure below. This is necessary because the rotor disk may not be perfectly central on the PMG shaft.

Repeat the starting test (diagram 43) with each of the four rotor studs in the 3 o'clock position. Try different weights, and find the lightest weight which will start the rotor turning. If one stud needs much more weight than another, then the rotor is not balanced. Fix small weights to the rotor until the balance is correct.

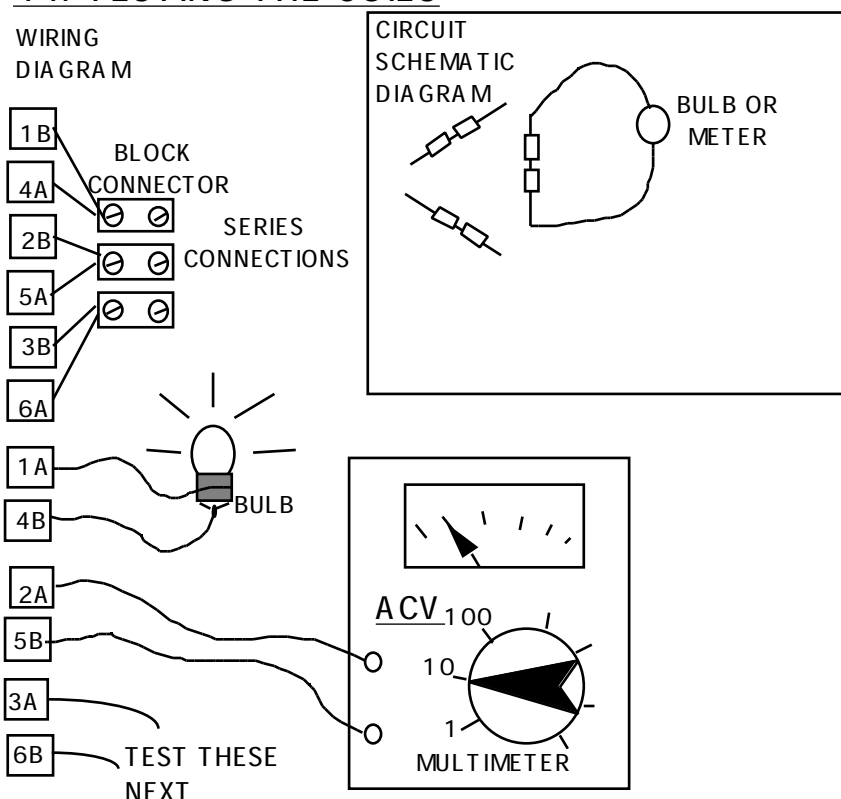
Electrical testing

Coil connection test

It would be helpful to have a multimeter when testing the PMG, but it is possible to do some basic tests with a 3 volt torch bulb. See diagram 44.

- Connect the wires 1B to 4A, 2B to 5A, and 3B to 6A. (Series connections of pairs of coils which are in the same phase.)
- Set the multimeter to '10VAC' or similar (if you have one).
- Connect the meter, or a bulb, between the wires marked 1A and 4B.

44. TESTING THE COILS



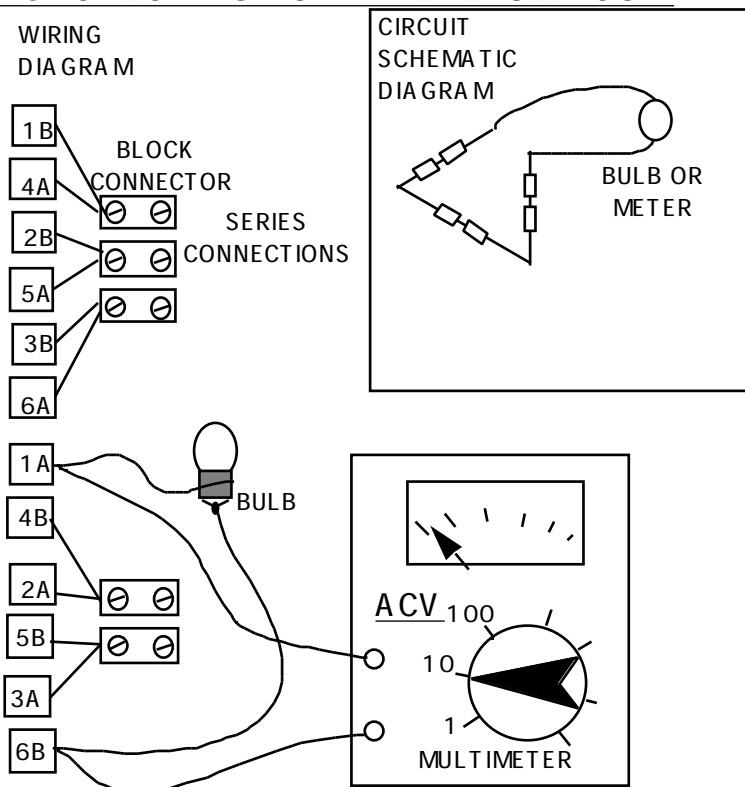
- Rotate the PMG slowly by hand, about one revolution per second.
- The meter should give a reading of about two volts, or the bulb should flicker.
- Repeat the test with two more pairs of wires: 2A and 5B, 3A and 6B.
In each case the result should be the same.

If there is no reading, or a very low reading, then check that the series connections (1B-4A, 2B-5A, 3B-6A) are correct. If all these connections are good, then it is possible that one coil has been reversed (placed upside-down).

If any coils have been reversed, then it is necessary to do another test (see diagram 45), to find out which one is at fault. Connect 4B-2A and 5B-3A as shown in the diagram. Now test between 1A and 6B. There should NOT be more than a very small voltage. If there is a voltage, or the bulb lights up, then reverse the connections (swap A for B) on the coils until the voltage drops to a very low level.

When the faulty coil has been found, label the tails again, with A and B at the correct ends.

45. CHECKING FOR A REVERSED COIL



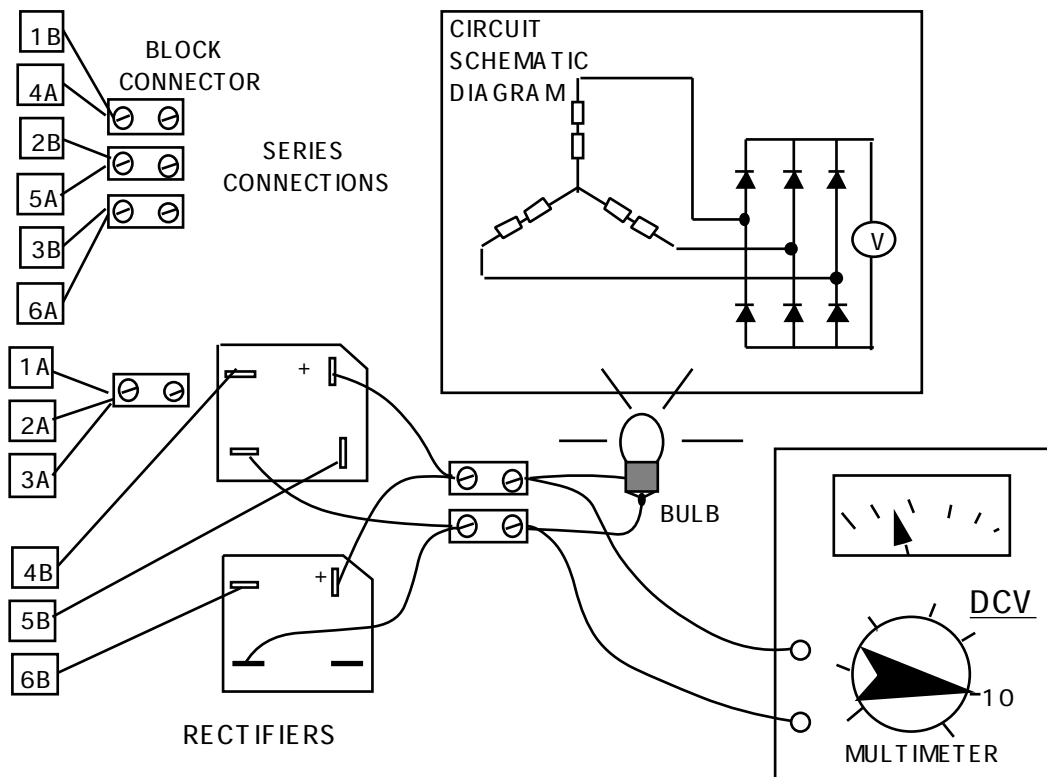
There will always be a small voltage in this test, because the coils are not perfectly positioned in the mould. If the test gives more than one volt, then it should be possible in future to make a better stator by placing the coils at exactly equal distances apart in the mould.

DC output test

When these tests have been completed and the results are correct, then connect the rectifier, as shown in diagram 46. Connect the tails 1A, 2A and 3A together. Connect each of 4B, 5B and 6B to any three of the rectifier AC terminals (marked with 'S' symbol). This is the 'star' connection. Connect a bulb to the output. If possible, also a multimeter on 10 VDC (or similar).

46. DC TEST

COILS CONNECTED STAR



Rotate the rotor by hand as before, approximately one revolution per second (60 rpm).

The meter should show a steady reading around 4 volts DC (or 3 volts with the bulb present). The bulb should glow with a steady light, not flickering as before.

If there is no reading, or the bulb flickers, then there is a faulty connection or a faulty rectifier. Check the connections carefully. Try another rectifier.

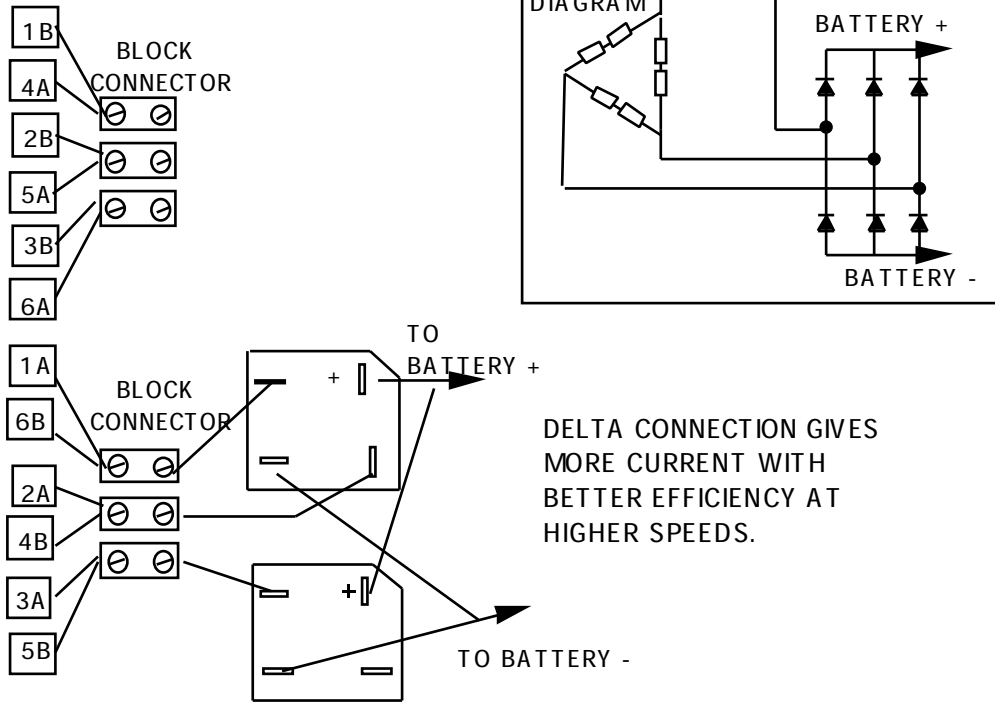
You can also test the PMG without a bulb or a meter. Simply connect the positive and negative wires from the rectifiers together (all four) in a 'short circuit'. Now try to turn the PMG. It should be stiff but smooth to turn. If it trembles as you turn it then there is a fault.

Connecting the PMG to the 12 volt battery

Star and Delta connections

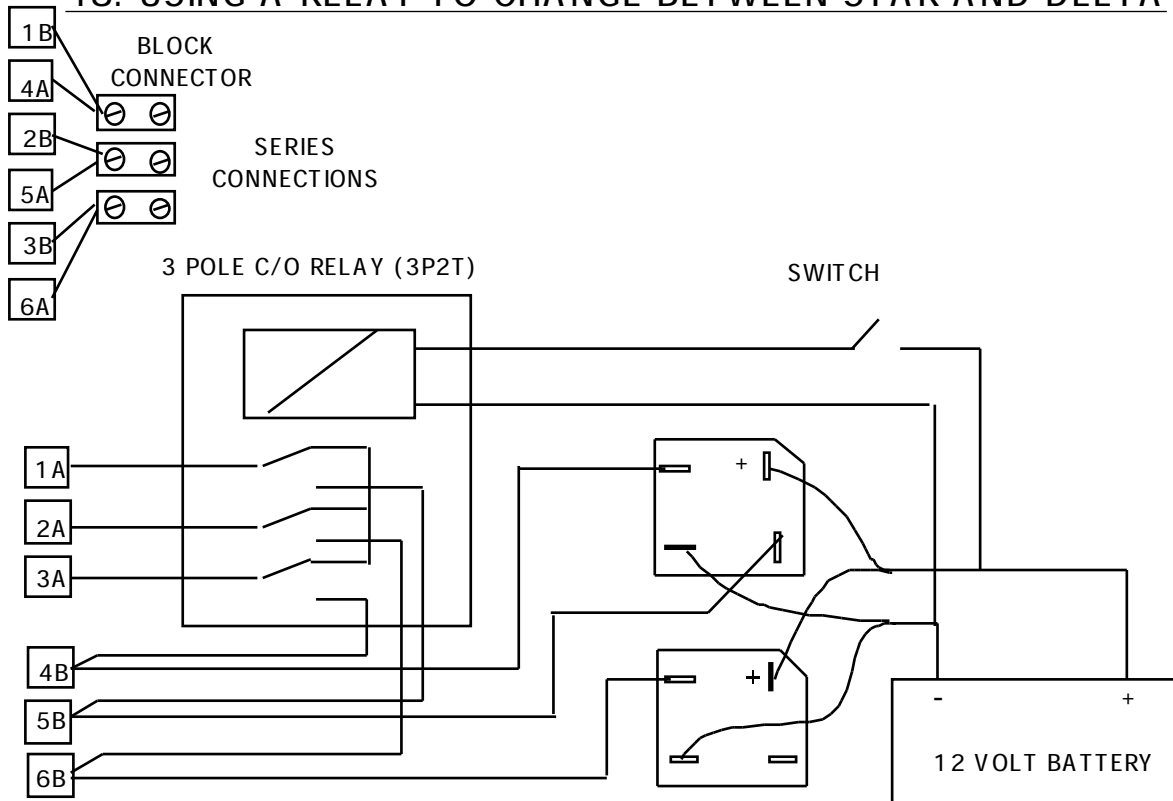
For low windspeeds, connect the coils 'star' as above. For high winds, and higher current output, connect the coils 'delta', as in diagram 47.

47. DELTA CONNECTION



It is also possible to wire a relay (see diagram 48) which will switch the connections from star to delta and back as desired.

48. USING A RELAY TO CHANGE BETWEEN STAR AND DELTA



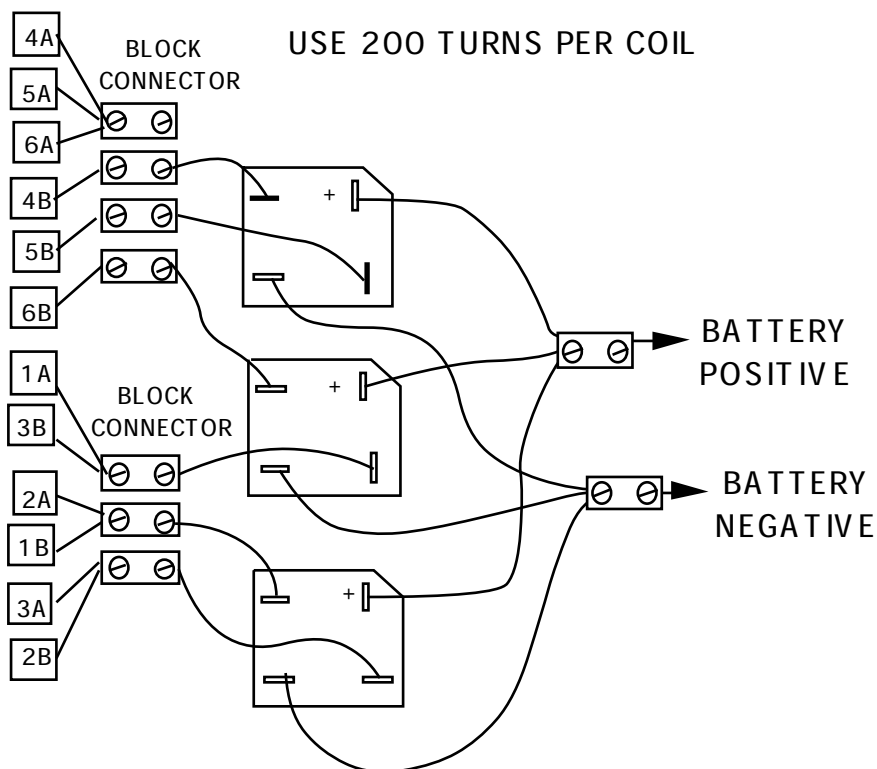
Yet another option for connecting the stator

At the time of writing this document, the above arrangement (using a relay to change the connections) is still under development. Later, an electronic control circuit will be available to automate the changeover. This is all very complex, and it so it can go wrong.

If you do not wish to have to change the connections between low and high windspeeds, then the PMG will still work. However, the efficiency will be slightly less. There are two options:-

- If you expect mainly low windspeeds, then you can simply use the star connection shown in diagram 46.
- If you also need higher power in higher winds, you can use a 17AWG wire (1.2 mm diameter) to wind coils with 200 turns each. Then you can connect one group in delta and one group in star as shown in diagram 49. Note that you need six AC terminals on the rectifiers so you will need three rectifier blocks.

49. STAR/DELTA CONNECTION



PMG-to-Battery Cable size

The cable from the PMG to the battery can be either three-phase-AC or DC. If the rectifier is mounted at the wind generator, then it will be DC. This is only slightly more efficient than three phase AC.

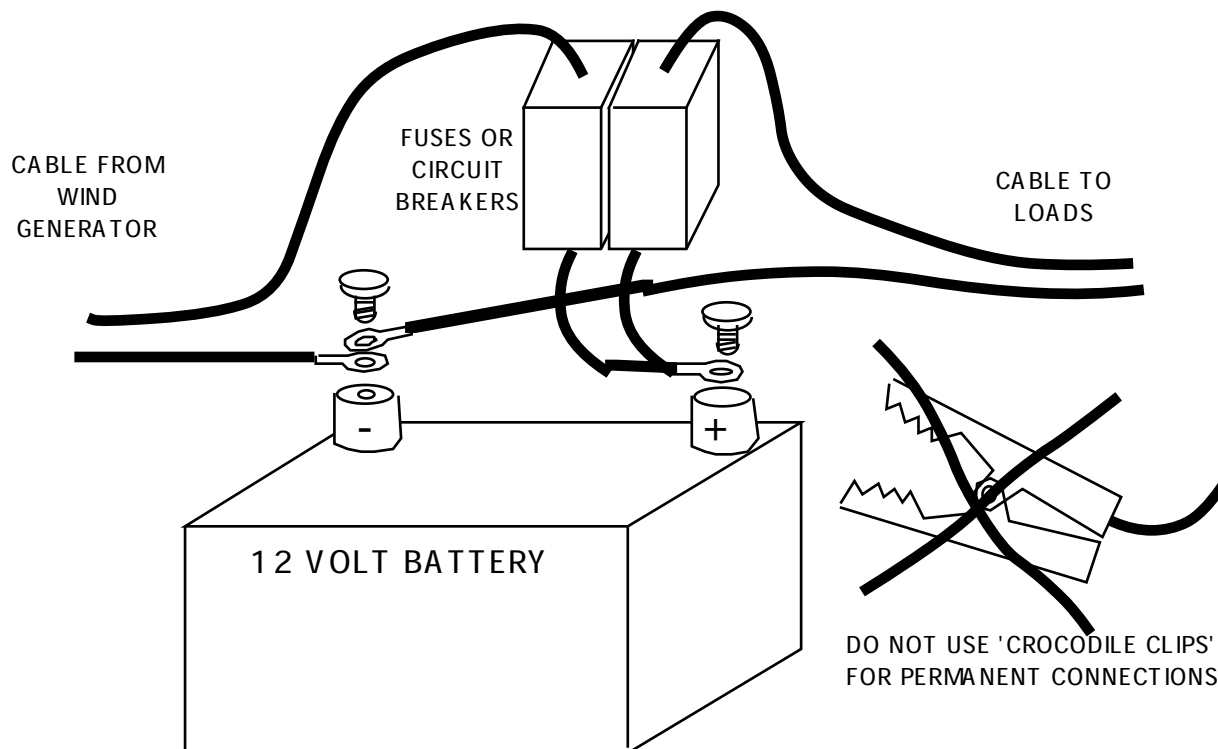
At 12 volts, the size of the cable must be large. Even if the current is only 15 amps, it is advisable to use a heavy cable. For a distance of 20 metres, the recommended size is 6 mm² (10AWG). The diameter (thickness) of each copper wire is about 3mm. A 15 amps current flowing in this cable will lose 15% of the power from the wind generator as heat in the cable. If the cable is longer, it should be heavier, in direct proportion.

Electrical Safety

There is no danger of electric shock from a 12 volt battery. But if the wind generator is disconnected from the battery, and running fast, then the voltage will be higher than 12 volts, maybe as high as 50 volts. Do not run the PMG at high speed without a battery connected.

The battery contains stored electrical energy. When there is a short-circuit fault in the wiring from the battery, for example the positive and negative wires touching each other, this energy is released in a very high current. The cable will heat up and burn. Therefore it is necessary to use a fuse or a circuit breaker on every wire which attaches to the battery positive terminal. Use one fuse for the wind generator and a separate one for the cable to the load (the lights, or whatever uses the power). See diagram 50.

50. CONNECTING THE BATTERY



Battery acid is bad for the clothes and the skin. Do not splash it. Be especially careful of the eyes. If there is an accident, the best cure is to flush with plenty of water.

Batteries produce hydrogen gas, which is very explosive. Do not make sparks near a battery or it may explode, and throw acid in the eyes!

Battery Charging

Lead acid batteries should be kept in a charged condition. In the case of a wind powered system, you may have to wait for a wind to charge the battery. But be careful not to discharge the battery too deeply, or to keep it too long in a discharged state, or it will be damaged (sulphated) and become useless. Stop using a battery before it is fully discharged. If there is a problem with the wind generator, then charge the battery from another source within two weeks.

Charging the battery too hard will also damage it. At first, when the battery is discharged, it is safe to use a high current, but later the current must be reduced or the battery will overheat and the plates will be damaged. The best way to fully charge a battery is to use a small current for a long time.

Watch the battery voltage. If the battery voltage is below 11.5 volts, then it is being discharged too much. If the voltage is high (over 14 volts) then the battery charging current is too high. Use less current or more current in the loads to correct these problems. If there is no voltmeter available, then the user should watch the brightness of the lights and follow these rules:-

- Dim lights, mean low battery. Use less electricity!
- Very bright lights mean too much windpower. Use more electricity!

A good way to use more electricity is to charge more batteries in windy weather, perhaps charging batteries from neighbours' houses.

There are simple electronic circuits which can regulate the battery voltage automatically. They are called 'low voltage disconnects' and 'shunt regulators'. If the user is not willing to watch the battery voltage, then it is necessary to fit a disconnect and a regulator.

8. Additional information

Using polyester resin

Polyester is the plastic substance used in fibreglass work for building boats, car body parts, etc. Various things are added to it to make it work better for various jobs. Talk to your supplier and explain what the resin is to be used for. Your supplier should be able to help you.

Hardeners

There are two systems used to harden polyester resin, and each system uses two chemicals. For resin casting and most fibreglass work we use peroxide and cobalt. ('Body filler pastes' use the other system.)

Cobalt is a purple fluid. Ask the supplier to mix the right amount of cobalt into the resin. After it is mixed, the resin must be stored in the dark, or it will harden.

Peroxide is a hazardous chemical. Avoid contact with skin. Store in a PVC container, in the dark, below 25 degrees C. Never mix it with cobalt (except for the cobalt already in the resin), or it will explode. Mix very small quantities (about 1 - 2%) of peroxide with resin or it will overheat.

Wax-free 'Air inhibited' resin 'B'

This type of resin is used for 'gel-coats' on boat moulds, where the resin is going to be built up in stages. We do not recommend using this resin for the PMG. Any exposed surface will remain tacky indefinitely. Ask for resin 'A', or better still 'casting resin'.

Thixotropic additive

A special powder of very light silica is often added to resin to make it thicker, so that it is easier to spread it with a paint brush. This powder is not needed for casting resin. If it is already added, it does no harm.

Styrene monomer

Approximately 35% of the resin as supplied is styrene monomer. This is used for thinning the resin. It causes the smell. It is possible to add a little more styrene monomer (10%) to make it more liquid.

Pigment

Pigment is used to colour the casting, if a coloured finish is desired. Add pigment to the first mix, which will be on the outside of the casting. Add no more than 10% pigment to the mix. It is not necessary to add pigment to the resin. Without pigment, the casting is transparent and the coils are visible.

Fibreglass

The resin has almost no strength without fibreglass. It is available in sheets of 'chopped strand mat' (CSM). It is also possible to buy just chopped strands, and to mix them with the resin. This is useful for the magnet rotor castings. Add a little resin to the fibreglass, and press out all the air bubbles, before adding more resin.

Talcum powder

Talcum powder is a cheap filler which can be mixed with the resin after the peroxide has been added. It makes the resin mixture much cheaper, and a little thicker. Resin can be mixed with up to twice its own weight of talcum powder. The powder also helps to reduce the heat build-up in large resin castings.



Using painted moulds in Peru

Mould preparation

Polyurethane varnish

Ordinary paint should not be used on moulds. Better to use nothing. If possible, use polyurethane varnish. This will prevent moisture coming out of a mould made from wood, plaster or clay. Smooth the varnish off with sandpaper before polishing it.

Polish

Polish the mould several times before using it first time. Rub all the polish off with a rag and then leave it some hours and do it again. Silicone polish is not compatible with PVA release agent. Use wax polish.

PVA Release agent

Paint this over the mould and let it dry. It forms a sheet of PVA, which greatly helps to separate the casting from the mould.

Using the PMG for hydro power

The PMG can also be used for charging batteries from small hydro turbines. It will be ideal for low head, low power sites, because it is efficient even when producing only a few watts. It can also be used for higher head higher power sites, because it is capable of high power outputs at high rpm.

There is a danger of rust damage to the magnet rotors in a very humid or wet environment such as in a hydro application. It is advisable to galvanise or plate the steel components with zinc.

Low head sites

Here are some examples of conditions where the PMG could work without modification (connected delta). It would need a simple 'impulse' runner mounted on the front magnet rotor.

Head (metres)	10	10	5
Flow (litres/second)	1	5	5
Net Power(watts)	40	200	100
pcd runner (cm)	37	27	23
speed (rpm)	325	440	360

High head, high power

At higher rpm, higher power is available from the PMG. Doubling the speed can also double the output voltage and the current, offering four times as much power with the same efficiency as before. The PMG may overheat under these conditions, so it may be better to keep the current the same, and have better efficiency. Much will depend on whether the water is used for cooling.

In any case, increasing the speed improves the PMG's power handling abilities considerably. It would be risky to run a wind turbine at high speeds, because of the problem of gyroscopic forces on the rotors, but this problem does not arise with hydro power, because the shaft axis is fixed.

If higher voltage is not required, then the stator winding can be changed to give 12 volts (as before) at the higher speed, but deliver higher current without overheating. This is done by connecting the coils of each phase in parallel instead of in series. Or the coils can be wound with fewer turns of thicker wire. This is better still, because parallel and delta connections can suffer from parasitic internal currents.

Do not use the star/delta connection (diagram 49) for hydro power where the speed is constant. There is no advantage.