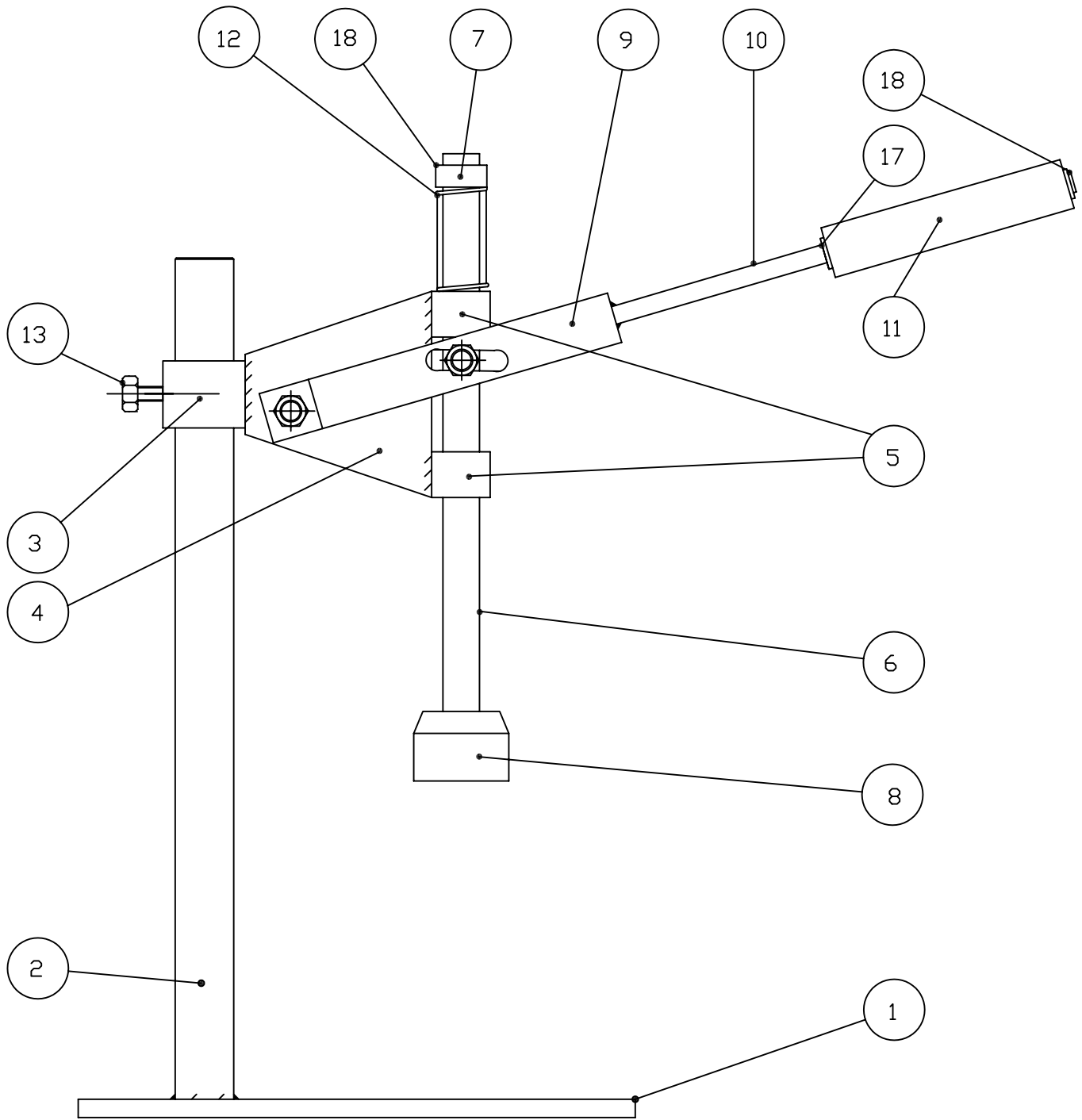


DO NOT SCALE

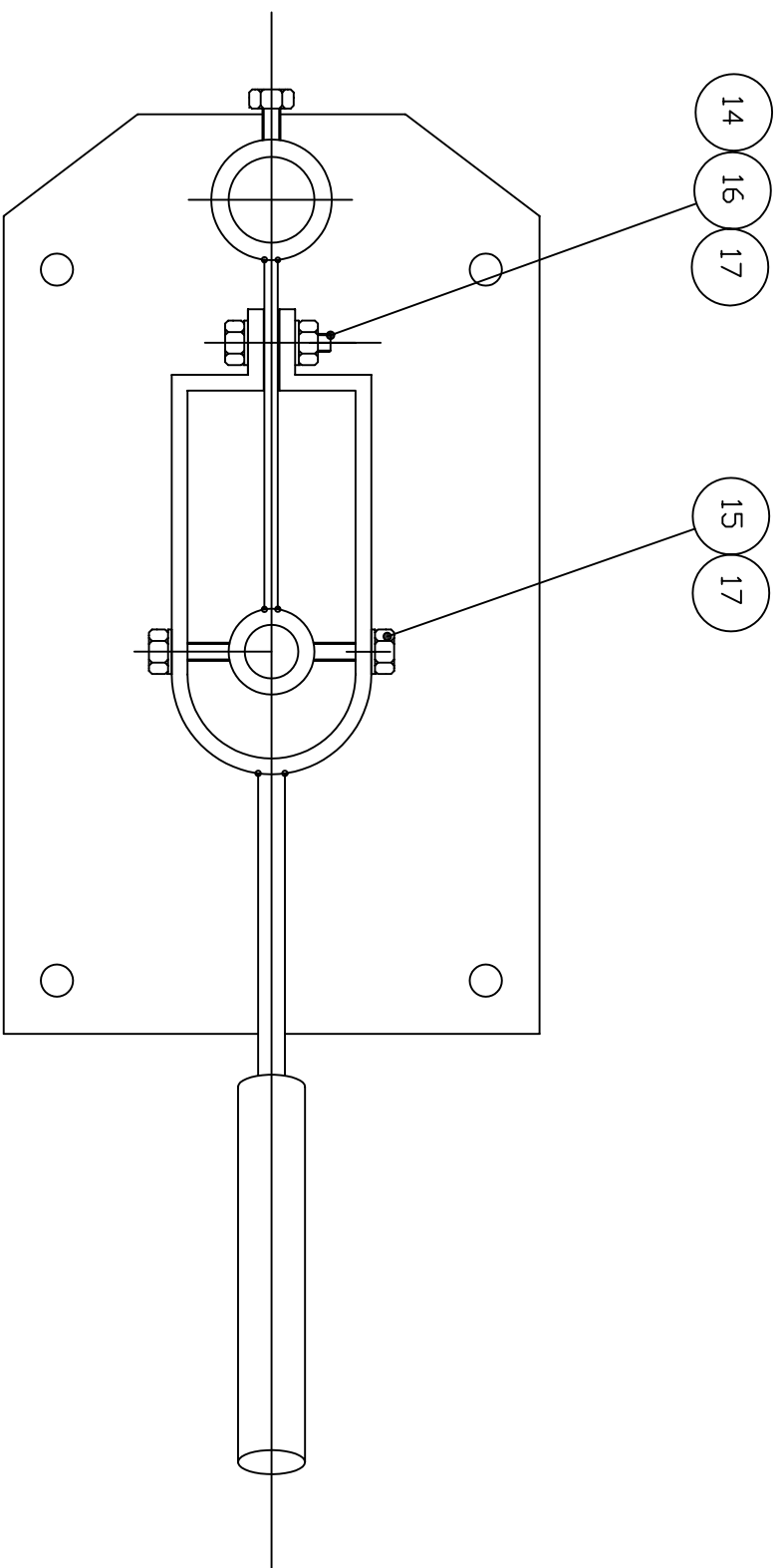


(SEE DRAWING CCM001-A FOR PLAN VIEW)

WELD AT  & 

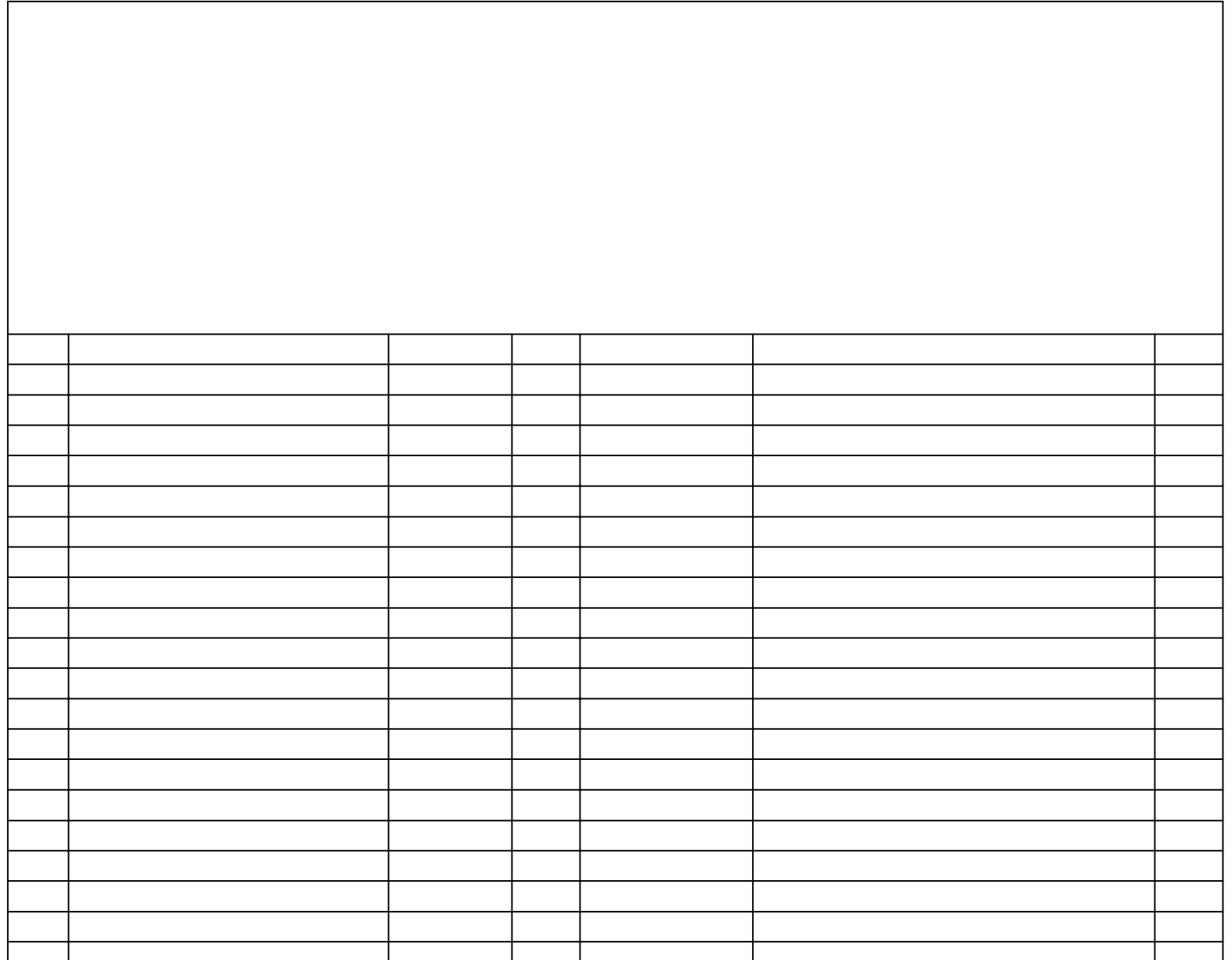
CCM001	SIDE ELEVATION	-	-	-
No.	Description	CHK	AP'D	DATE
REVISIONS				

DD NDT SCALE



<SEE CCM001 FOR SIDE ELEVATION>

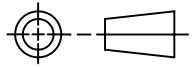
CCM001a		Plan View	CHK	AP'D	DATE	Practical Action www.practicalaction.org info@practicalaction.org.uk		TITLE	CROWN CAP MACHINE	DRAWN A/R	TRACE	CHK	NOT TO SCALE	
REVISIONS		Description						DIMENSIONS IN MM						



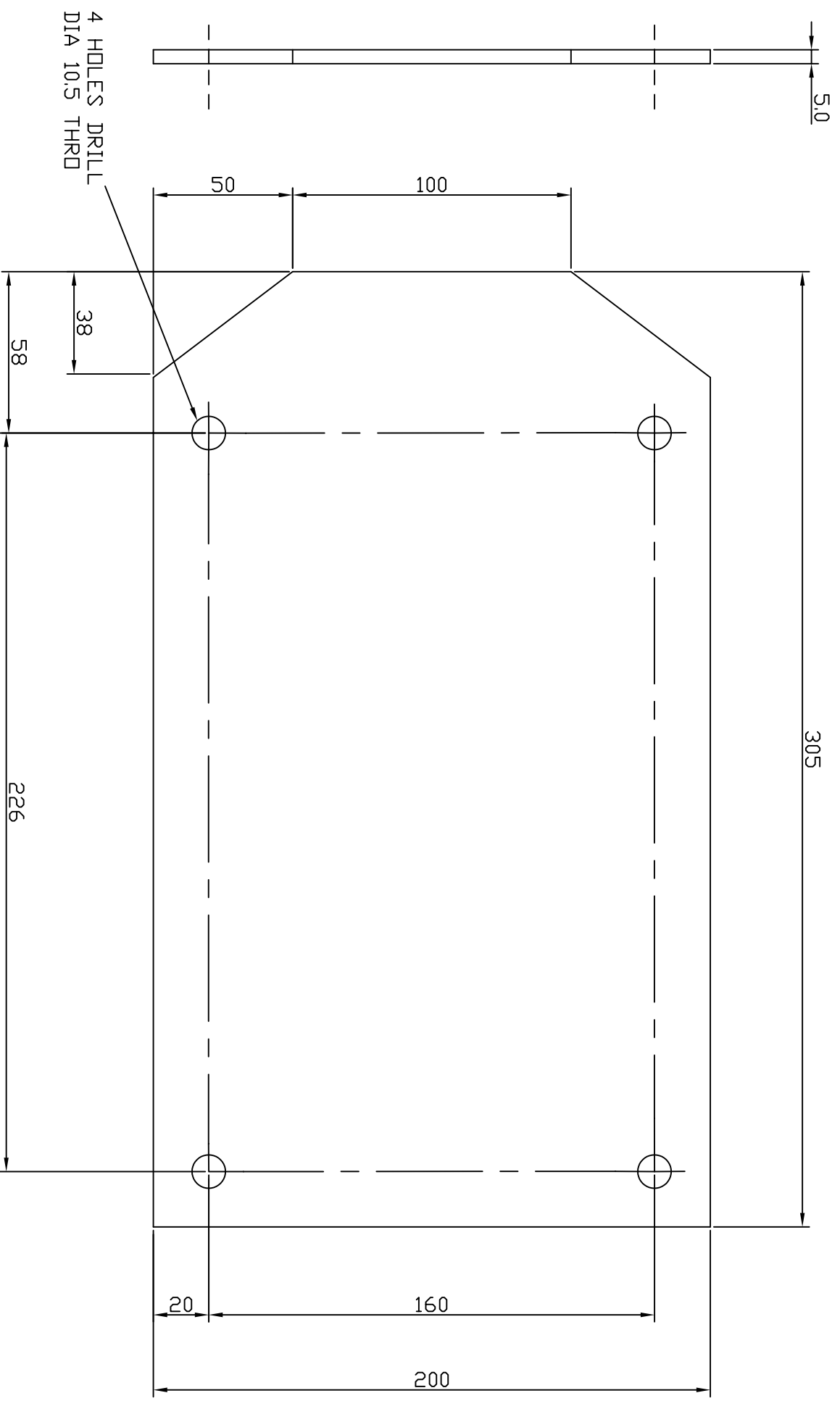
18	SPLIT PIN		3		DIA3 × 20	
17	WASHER		6		TO SUIT M10 SCREW	
16	NUT		1		M10	
15	HEX BOLT		2		M10 X 50	
14	HEX BOLT		1		M10 X 40	
13	HEX BOLT		1		M10 X 20	
12	SPRING		1		DIA 20 - 1 X 76 LONG	
11	HANDLE	CCM111	1	HARD WOOD	DIA25 × 140	
10	LEVER	CCM110	1	MILD STEEL	DIA20 × 250 WELD TO ITEM 9	
9	HOLDER	CCM109	1	MILD STEEL	158.1 × 53.2 × 25	
8	CAP HOLDER	CCM108	1	MILD STEEL	DIA42 × 38	
7	STOP - FOR SHAFT	CCM107	1	MILD STEEL	DIA28 × 12 WELD TO ITEM 6	
6	SHAFT	CCM106	1	MILD STEEL	DIA20 × 305	
5	BUSH	CCM105	2	MILD STEEL	DIA32 × 25 WELD TO ITEM 4	
4	BRACKET	CCM104	1	MILD STEEL	114 × 192 × 5	
3	BUSH - FOR HEIGHT ADJ	CCM103	1	MILD STEEL	DIA45 × 38 WELD TO ITEM 4	
2	COLUMN	CCM102	1	MILD STEEL	DIA32 × 460 WELD TO ITEM 1	
1	BASE PLATE	CCM101	1	MILD STEEL	305 × 200 × 5	

ITEM	DESCRIPTION	PAGE NO	QTY	MATERIAL	COMMENTS	CHD
------	-------------	---------	-----	----------	----------	-----

PARTS LIST

Practical Action <small>www.practicalaction.org infoserv@practicalaction.org.uk</small>	TITLE CROWN CAP MACHINE	DRAWN A.R	TRACE -	CHK -		NOT TO SCALE
	DRAWING No. CCM001					

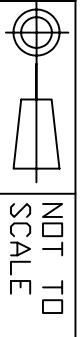
NDT TO SCALE - DD NDT SCALE



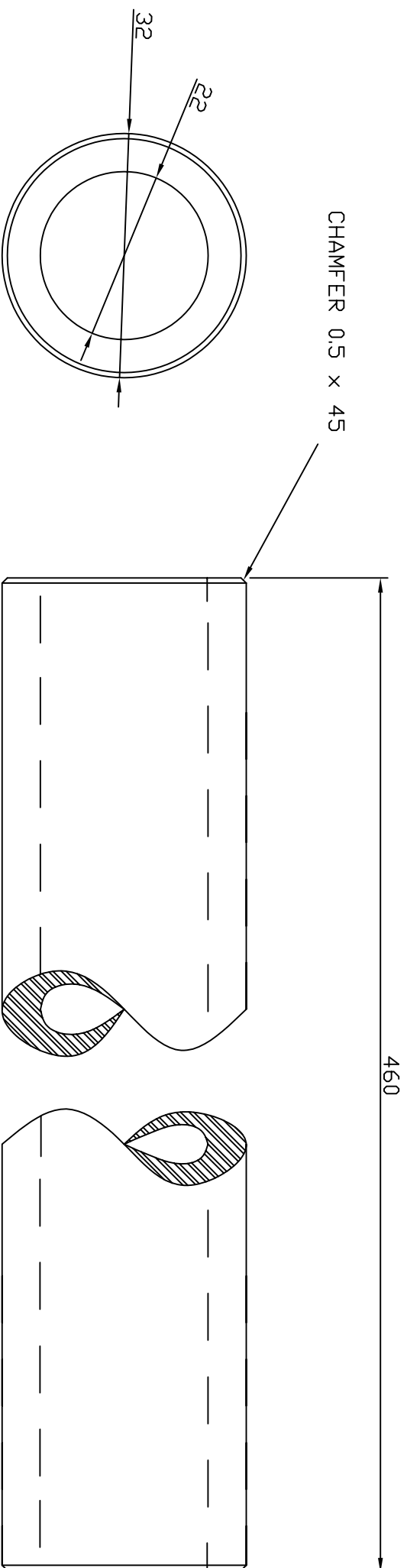
TOLERANCES  
UNLESS OTHERWISE  
STATED +/- 0.25

1 BASE PLATE - MILD STEEL - 1 DFF

No. REVISIONS		Description		CHK	AP'D	DATE	Practical Action www.practicalaction.org info@practicalaction.org	TITLE CROWN CORK MACHINE DIMENSIONS IN MM	DRAWN A.R	TRACE -	CHK -	NDT TO SCALE




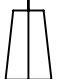
NDT TO SCALE - DD NDT SCALE



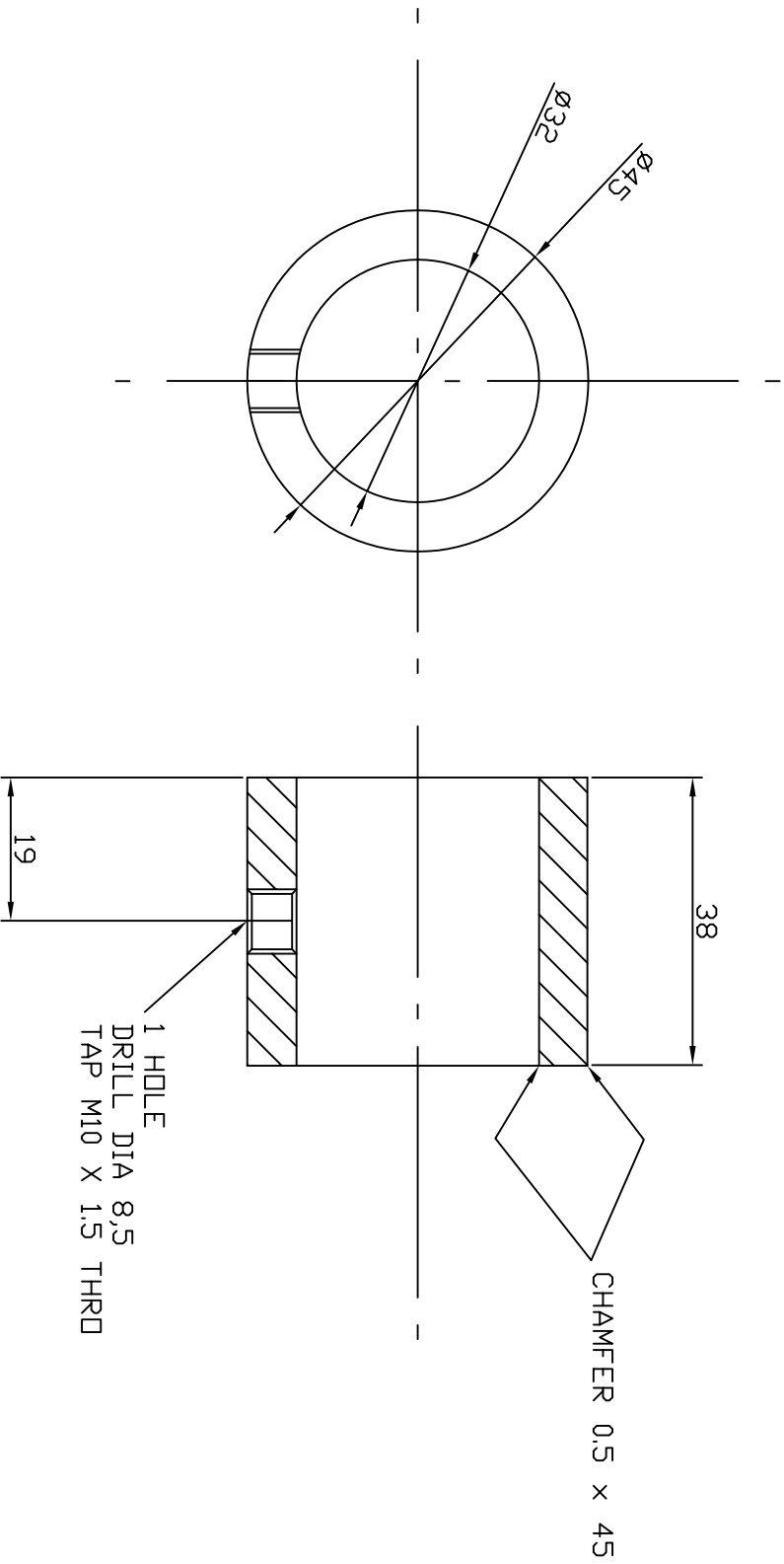
NOTE- USE MILD STEEL or GALVANISED PIPE WITH MIN WALL THICKNESS 2mm

TOLERANCES UNLESS OTHERWISE STATED +/- 0.25

② COLUMN - MILD STEEL - 1 DFF

No.	Description	CHK	AP'D	DATE	Practical Action www.practicalaction.org info@practicalaction.org.uk	TITLE CROWN CAP MACHINE DIMENSIONS IN MM	DRAWN A.R	TRACE -	CHK -	 	NDT TO SCALE
REVISIONS											

NDT TO SCALE - DD NDT SCALE

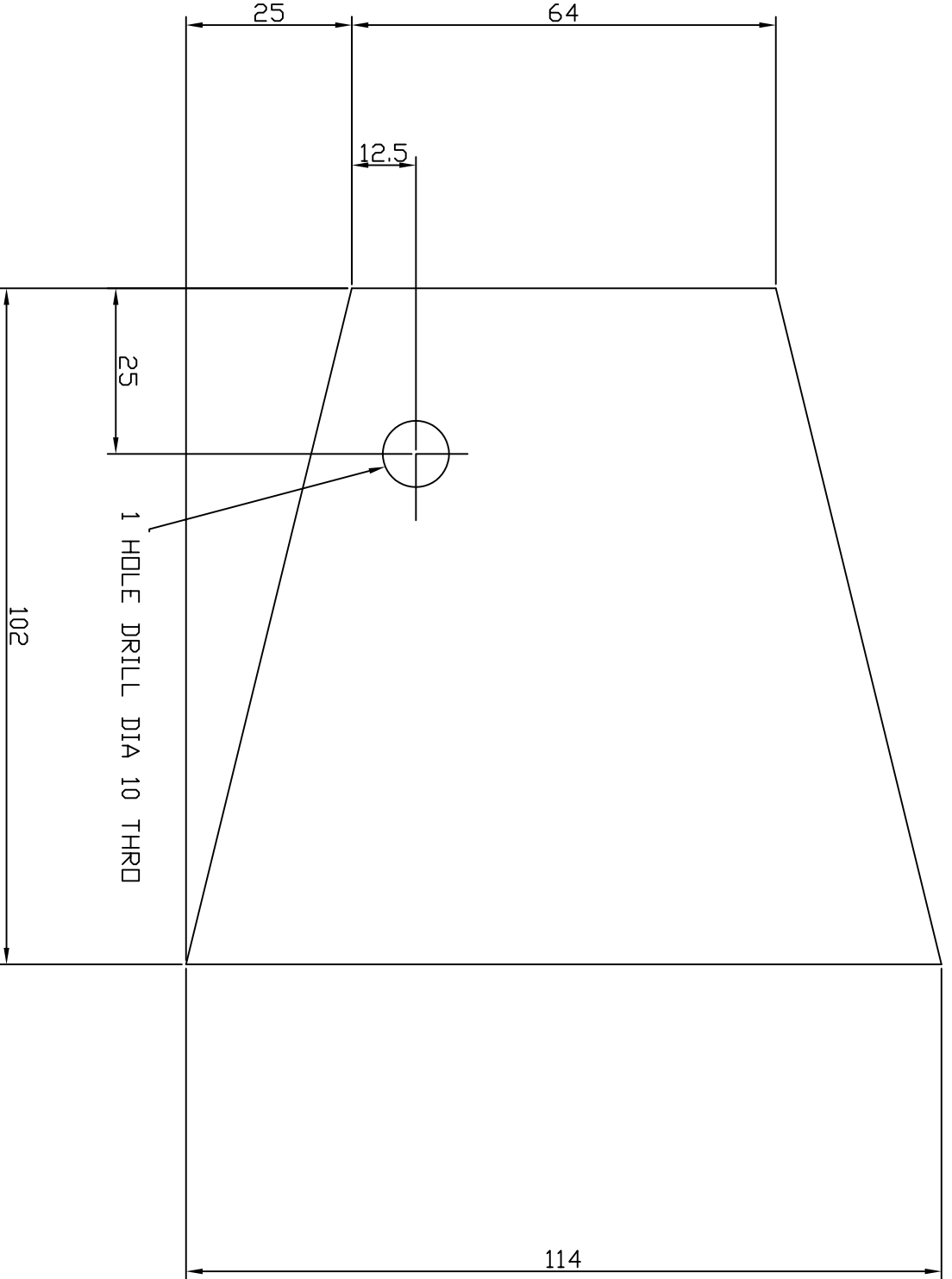
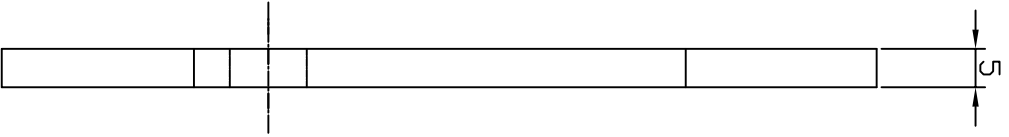


TOLERANCES  
UNLESS OTHERWISE  
STATED +/- 0,25

3 BUSH FOR HEIGHT ADJUSTMENT - MILD  
STEEL - 1 OFF

No.	Description	CHK	AP'D	DATE	Practical Action www.practicalaction.org info@practicalaction.org.uk	TITLE	CROWN CAP MACHINE	DRAWN A.R	TRACE	CHK	DRAWING No. CCM203	NDT TO SCALE
REVISIONS						DIMENSIONS IN MM						

NDT TO SCALE - DD NDT SCALE

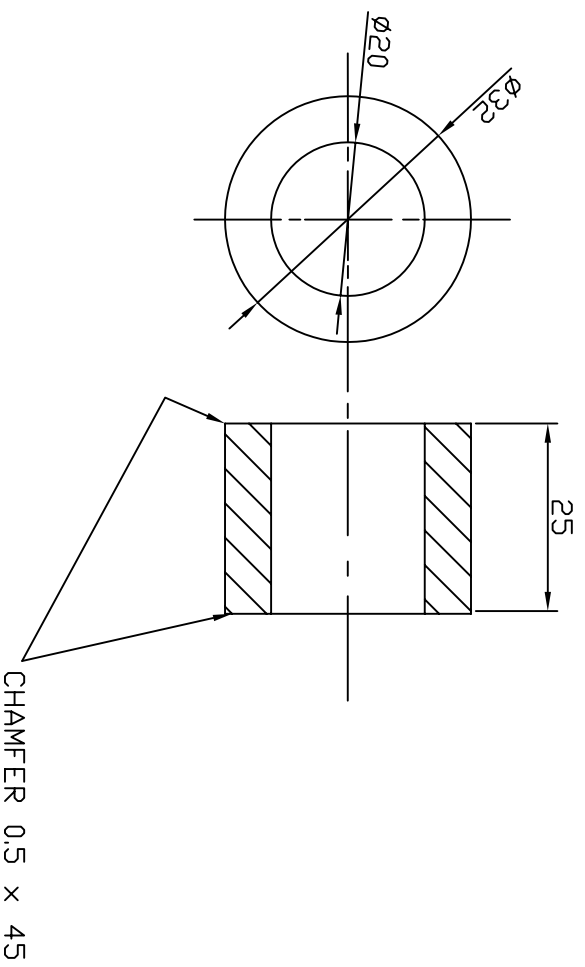


TOLERANCES  
UNLESS OTHERWISE  
STATED +/- 0.25

4 BRACKET - MILD STEEL - 1 DFF

No. REVISIONS		Description		CHK	AP'D	DATE	Practical Action www.practicalaction.org info@practicalaction.org		TITLE	CROWN CAP MACHINE	DRAWN A/R	TRACE	CHK	DRAWING NO. CCM204	NDT TO SCALE
									DIMENSIONS IN MM						

NDT TO SCALE - DD NDT SCALE



TOLERANCES  
UNLESS OTHERWISE  
STATED +/- 0.25

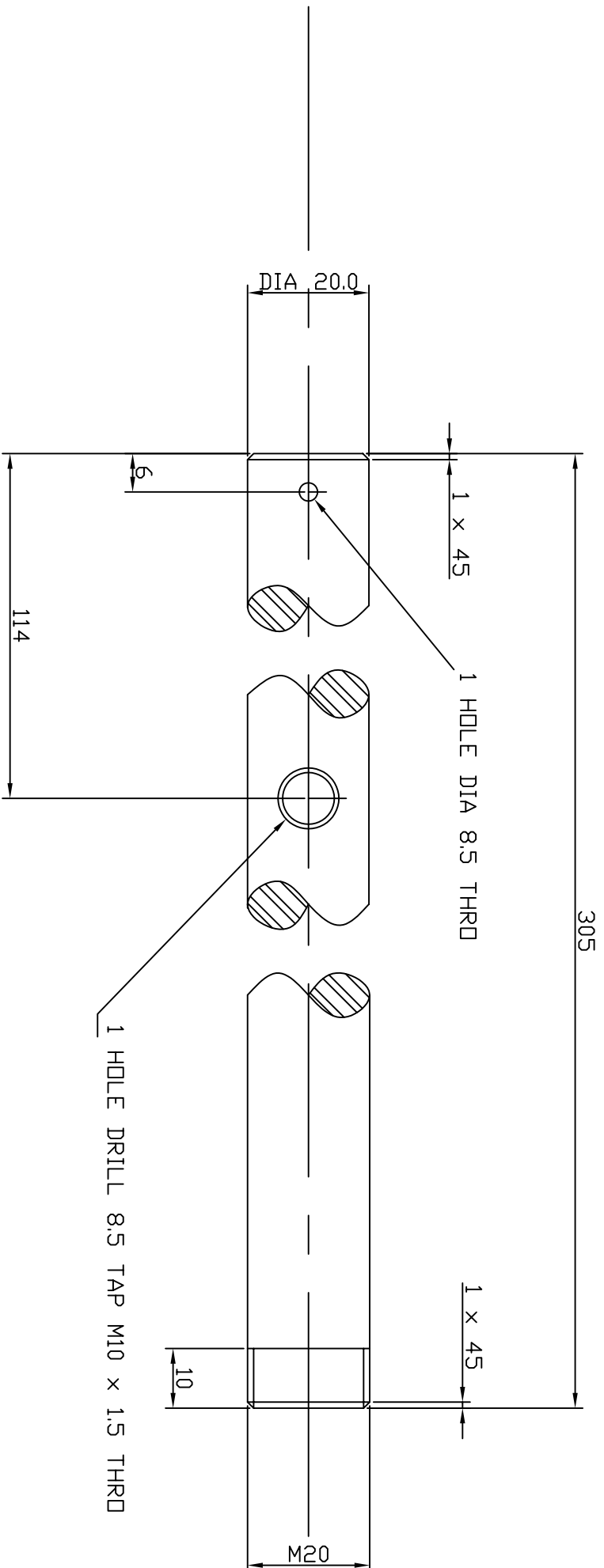
5 BUSH - MILD STEEL - 2 DFF

No.	Description	CHK	AP'D	DATE
REVISIONS				

Practical Action <a href="mailto:info@practicalaction.org">info@practicalaction.org</a>	TITLE	CROWN CAP MACHINE	DRAWN A.R	TRACE -	CHK -		NDT TO SCALE
	DIMENSIONS IN MM	DRAWING No. CCM205					



NDT TO SCALE - DD NDT SCALE

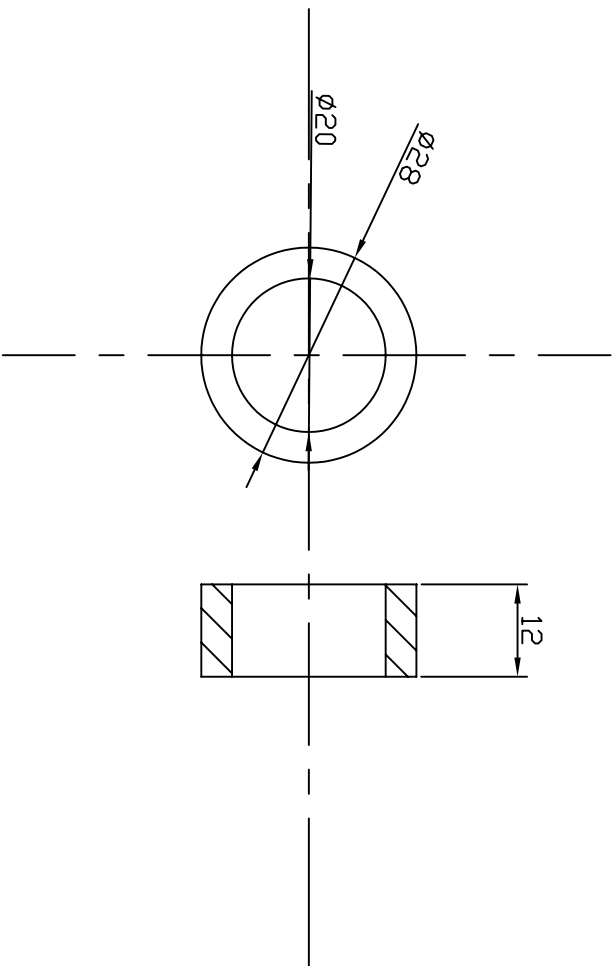


TOLERANCES  
UNLESS OTHERWISE  
STATED +/- 0.25

6 SHAFT - MILD STEEL - 1 DFF

Practical Action www.practicalaction.org info@practicalaction.org.uk		TITLE		DRAWN		TRACE		CHK		NDT TO SCALE	
CROWN CAP MACHINE		DIMENSIONS IN MM		A.R		-		-		-	
Description		CHK		AP'D		DATE					
No. REVISIONS											

NOT TO SCALE - DO NOT SCALE



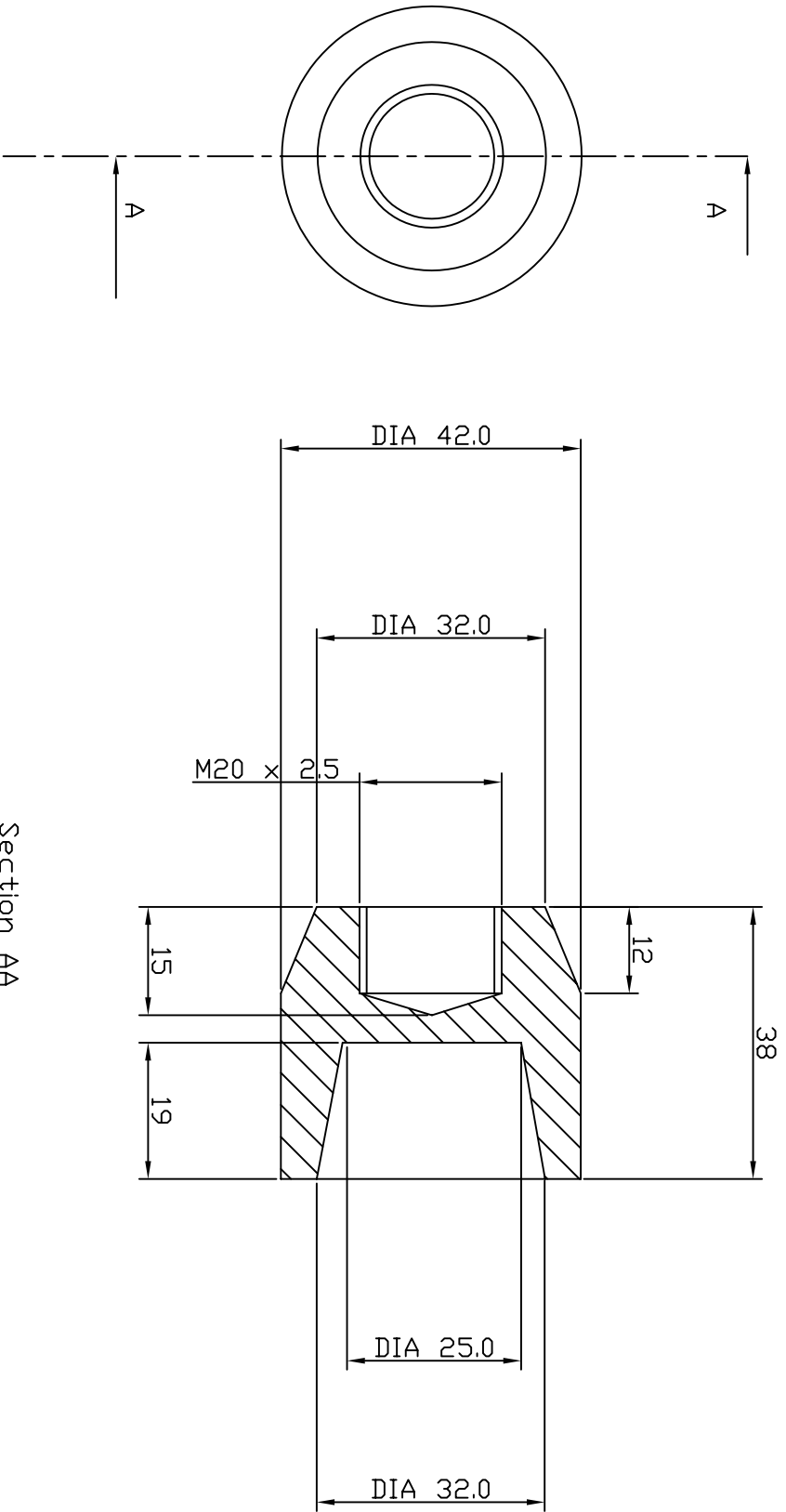
TOLERANCES  
UNLESS OTHERWISE  
STATED +/- 0.25

7 STOP - MILD STEEL - 1 DFF

No.	Description	CHK	AP'D	DATE
REVISIONS				

Practical Action <a href="http://www.practicalaction.org">www.practicalaction.org</a> <a href="mailto:info@practicalaction.org">info@practicalaction.org</a>		TITLE	CROWN CAP MACHINE	DRAWN A.R	TRACE -	CHK -	DRAWING No. CCM207		NDT TO SCALE
		DIMENSIONS IN MM							

NDT TO SCALE - DD NDT SCALE



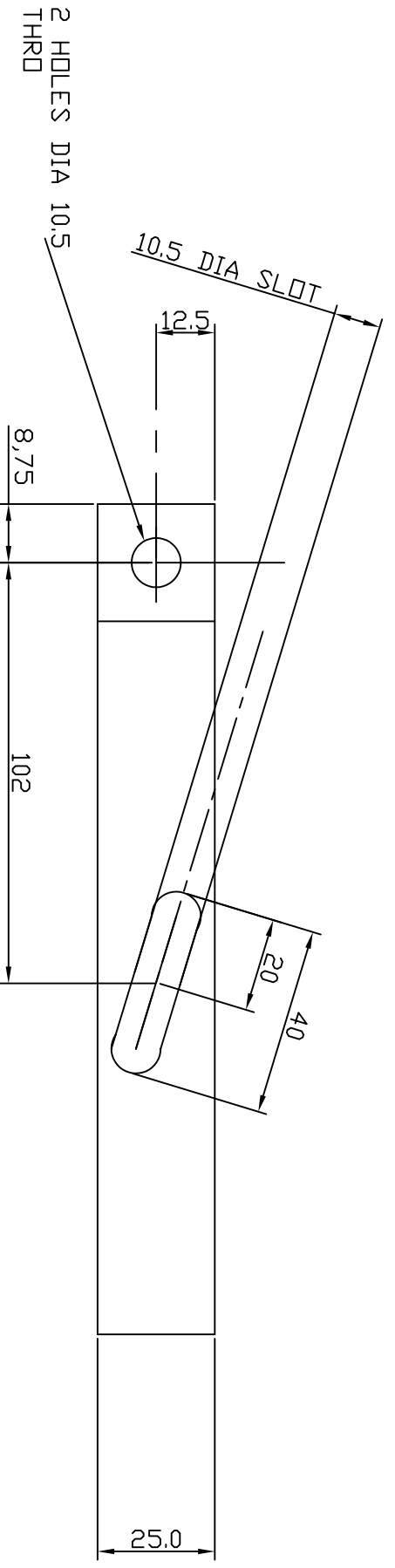
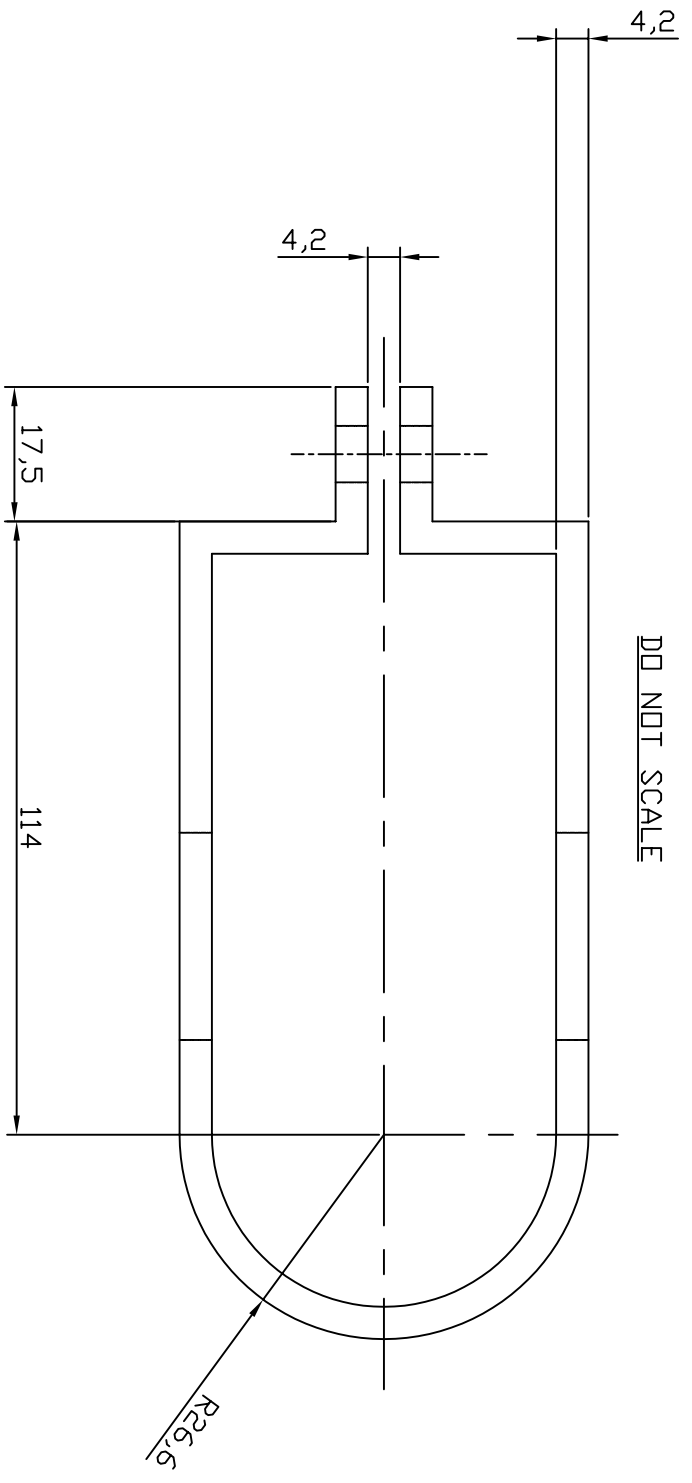
Section AA

TOLERANCES  
UNLESS OTHERWISE  
STATED +/- 0.25

8 CAP HOLDER - MILD STEEL - 1 DFF



Practical Action <a href="http://practicalaction.org">http://practicalaction.org</a> <a href="mailto:info@practicalaction.org">info@practicalaction.org</a>		TITLE		DRAWN		TRACE		CHK		NDT TO SCALE	
CROWN CAP MACHINE		DIMENSIONS IN MM		A,R		-		-		SCALE	
No. REVISIONS		Description		CHK		AP'D		DATE			

DD NOT SCALE

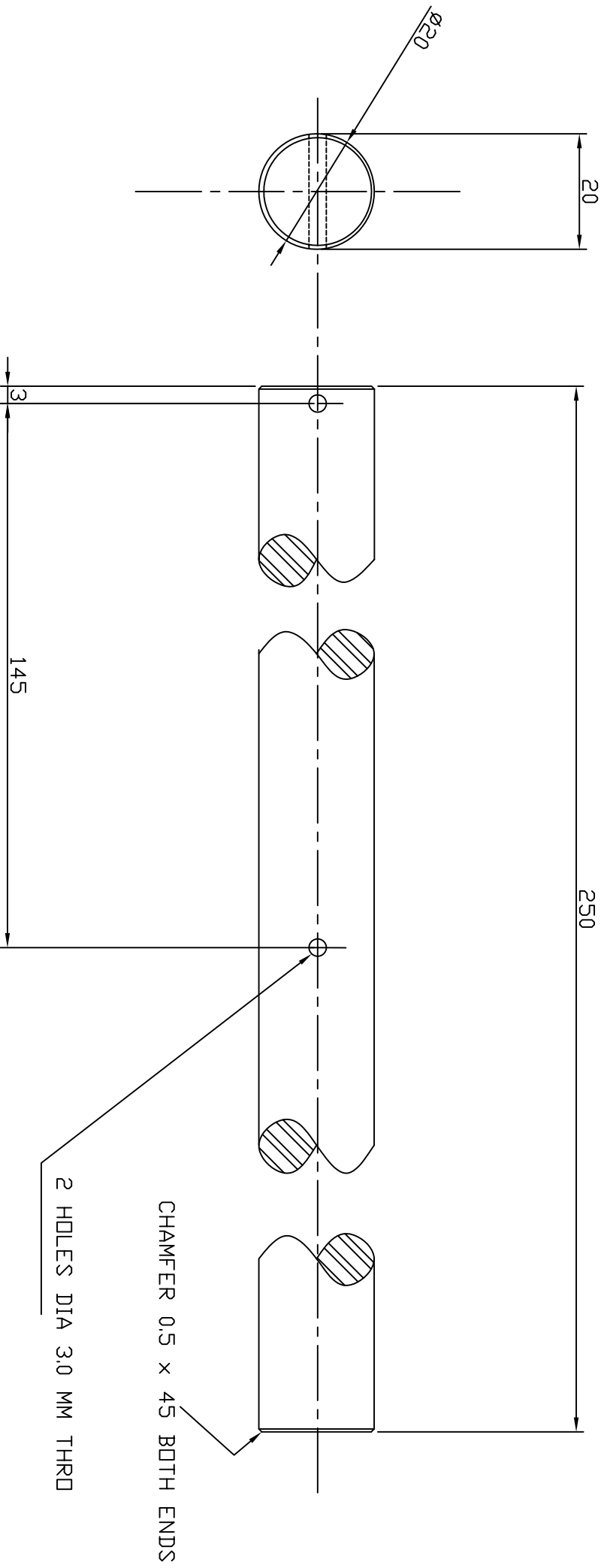


TOLERANCES  
UNLESS OTHERWISE  
STATED +/- 0.25

9 HOLDER -  
MILD STEEL  
- 1 OFF

No. REVISIONS		CHK	AP'D	DATE	Practical Action www.practicalaction.org info@practicalaction.org.uk	TITLE CROWN CAP MACHINE DIMENSIONS IN MM	DRAWN A.R	TRACE -	CHK -	 	NDT TO SCALE
Description											

NDT TO SCALE - DD NDT SCALE



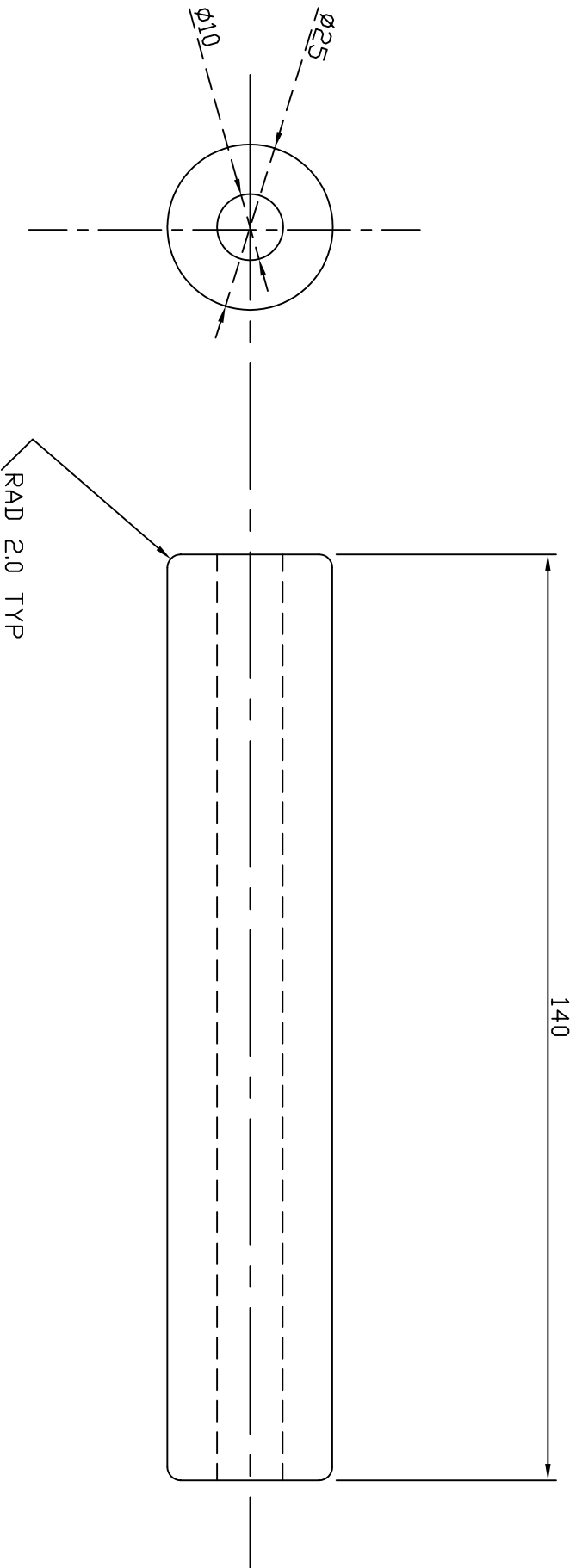
TOLERANCES  
UNLESS OTHERWISE  
STATED +/- 0.25

10 LEVER - MILD STEEL - 1 DFF

CHAMFER 0.5 x 45 BOTH ENDS  
2 HOLES DIA 3.0 MM THRD

No.		Description		CHK	AP'D	DATE	Practical Action www.practicalaction.org info@practicalaction.org.uk		TITLE CROWN CAP MACHINE		DRAWN A.R	TRACE -	CHK -	NDT TO SCALE	
REVISIONS									DIMENSIONS IN MM		DRAWING NO. CCM210				

NOT TO SCALE



TOLERANCES  
UNLESS OTHERWISE  
STATED +/- 0.25

① HANDLE - HARD WOOD - 1 OFF

No. REVISIONS		CHK	AP'D	DATE	Practical Action <small>www.practicalaction.org info@practicalaction.org</small>		TITLE	CROWN CAP MACHINE	DRAWN A/R	TRACE	CHK		NOT TO SCALE
Description					DIMENSIONS IN MM	DRAWING No. CCM211							