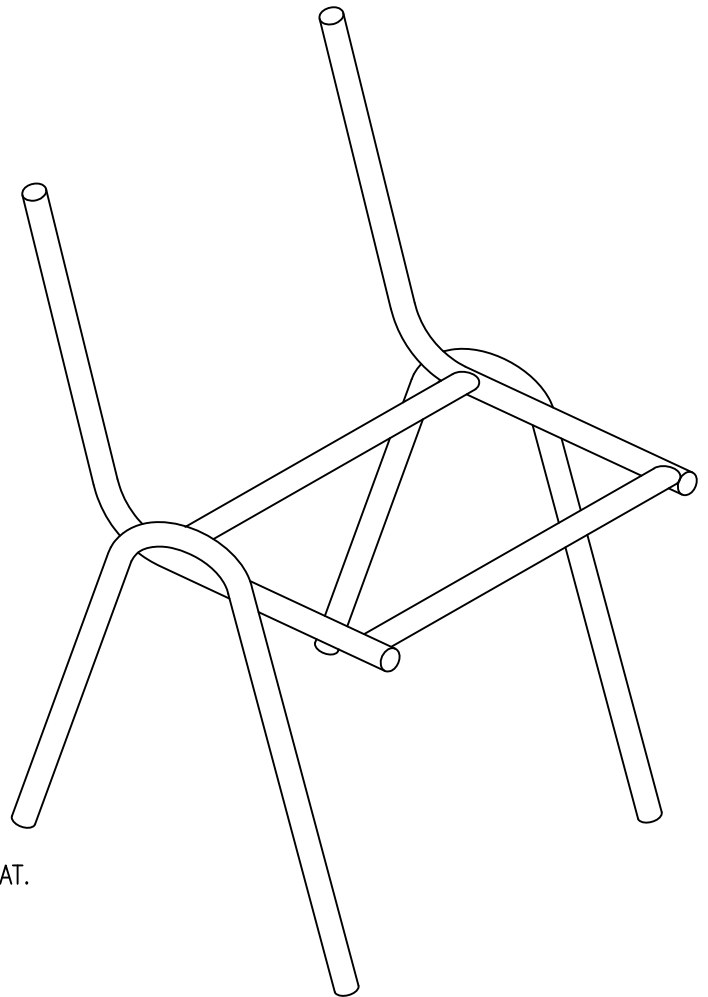
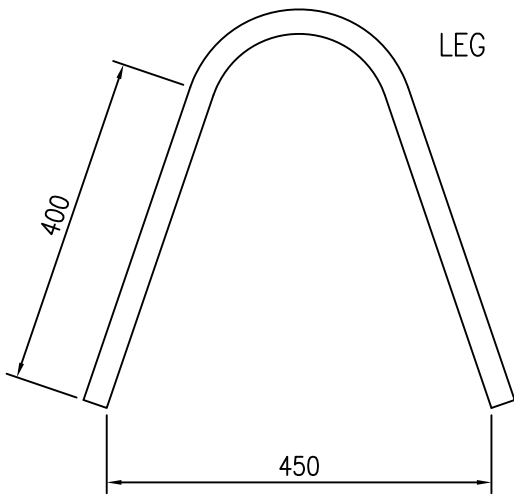
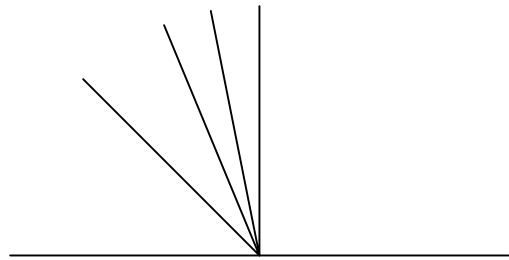
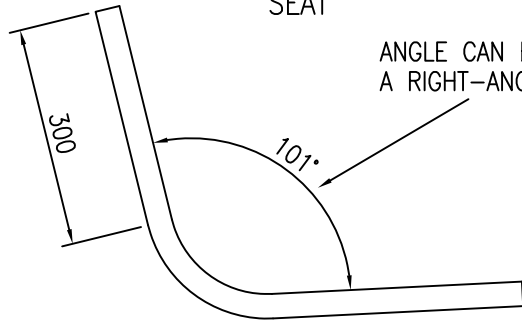
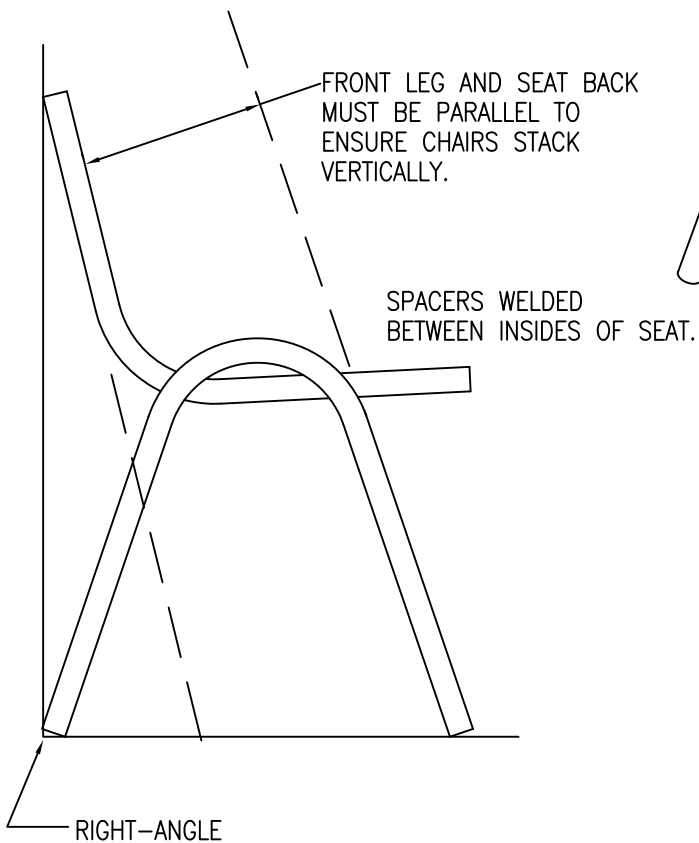


DETAILS



ASSEMBLY



ApT STACKING CHAIR	
TITLE: DETAILS & ASSEMBLY	
SCALE: 1:10	
DRAWN: ABATEC	PAGE: 1 of 2
CAD No: APT-12-1	

No.	DESCRIPTION	QUANTITY	DIMENSIONS
A	LEG	2	20 DIA. FURNITURE TUBE x 1050
B	SEAT	2	20 DIA. FURNITURE TUBE x 700
C	SPACER	2	20 DIA. FURNITURE TUBE x 350
D	SEAT PLATFORM	1	5 PLYWOOD OR 18 GAUGE SHEET STEEL x 260 x 390
E	BACK PLATFORM	1	5 PLYWOOD OR 18 GAUGE SHEET STEEL x 160 x 390

ApT STACKING CHAIR	
TITLE: PARTS LIST	
SCALE:	
DRAWN: ABATEC	PAGE: 2 of 2
CAD No: APT-12-2	